

Description

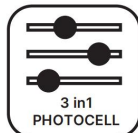
LUMICOR's new LED full-cutoff wall packs are your first choice for wall-mounted lighting projects. 3 IN 1 switch is selectable for CCT, wattage, and photocell ON/OFF control. D2D photocell can automatically turn off at sunrise or during the day, and automatically light up at sunset or night. It is a highly efficient lighting solution that provides long-lasting and energy-saving.

Application

- Factory
- Warehouse
- Walkways
- Hallways
- Outdoor Commercial
- Outdoor Residential

Certificate

- UL
- DLC



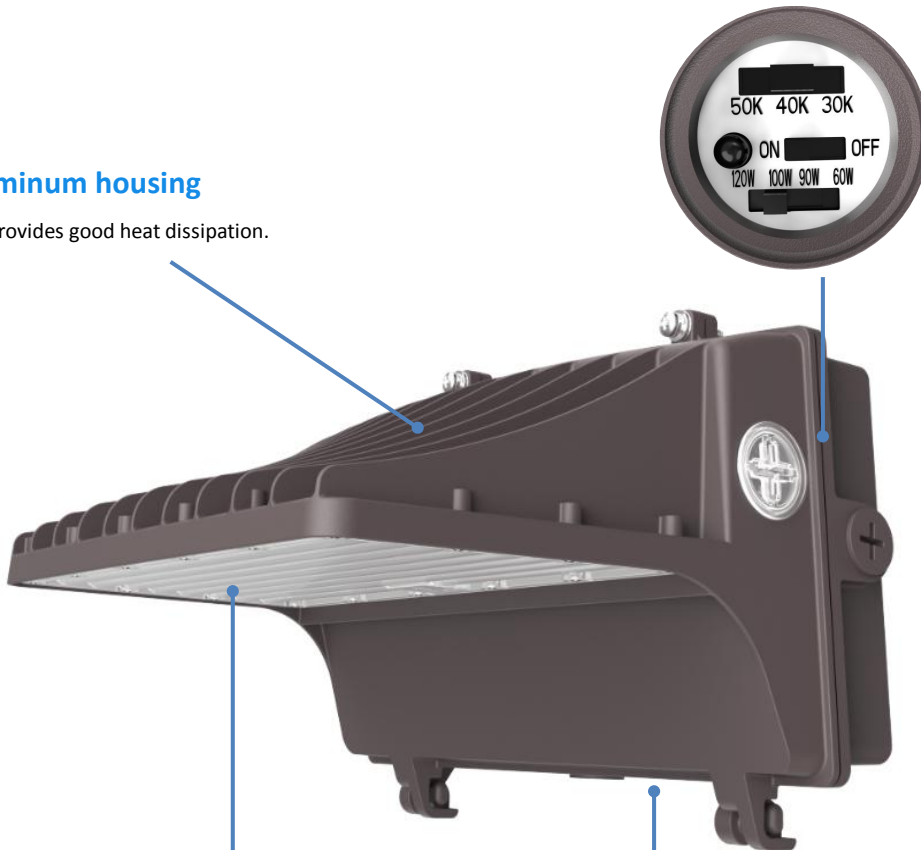
LED Full-Cutoff Wall Pack - LM-WP-10A

Key Features

- High efficacy up to 150 lm/W.
- 3CCT(3000/4000/5000K) and 4 Wattages Selectable offer SKU reduction.
- AC120-277V & AC120-347V for options.
- Professional optical design meets the DLC full cut-off wall pack standard.
- ADC12 Aluminum die-casting housing provides excellent heat dissipation.
- Automated Dusk to Dawn photocell functionality.
- Microwave motion sensor and emergency driver available.
- Waterproof rated IP65.

Die-cast aluminum housing

Durable housing provides good heat dissipation.



Optical polycarbonate lens

DLC Standard Full cut-off wall pack.



Field-adjustable CCT

3CCT Selectable: 3000K/4000K/5000K

Photocell ON/OFF Field-adjustable wattage

4 Wattage selectable.

Microwave motion sensor



Wall pack with glare shield



Performance Summary

Model NO. #	Size	Watts	3 CCT	LPW	Lumens(±10%)	Voltage	Dim	CRI	Beam Angle
LM-WP-10A-9-40SW-9D-3CCT	9"	40/30/20/15W Selectable	3CCT Selectable 3000K 4000K 5000K	150lm/W	6000LM @40W	AC120-277V AC120-347V	0-10V	>80	Type III
LM-WP-10A-9-80SW-9D-3CCT	9"	80/60/50/40W Selectable			12000LM @80W				
LM-WP-10A-11-80SW-9D-3CCT	11"	80/60/50/40W Selectable			12000LM @80W				
LM-WP-10A-11-120SW-9D-3CCT	11"	120/100/90/60W Selectable			18000LM @120W				

Remarks: **1. All above efficacy and lumens are subject to CRI>80 @4000K, please check IES files for accurate data.**

2. LM-WP-10A-11-120SW-9D-3CCT, SW denotes wattage selectable; 9 denotes voltage AC120-347V; D denotes 0-10V dimming.

3. Factory default settings: Photocell is ON, Max wattage, 5000K.

Performance

- LED Type: SMD2835
- Frequency: 50/60HZ
- Power Factor: ≥0.90
- IP Rating: IP65
- THD: <20%
- Life Time: L70 @ 50,000Hrs
- Operating Temp.: -40°F to 122°F (-40°C to +50°C) for standard version
32°F to 104°F (0°C to +40°C) for EM version
- Surge Protection: L/N 6KV, L/N-P 6KV
L/N 4KV, L/N-P 6KV for 40W








Construction

- Lens: Polycarbonate
- Housing: Die-cast aluminum
- Finish: Bronze, Custom finishes available

Mounting

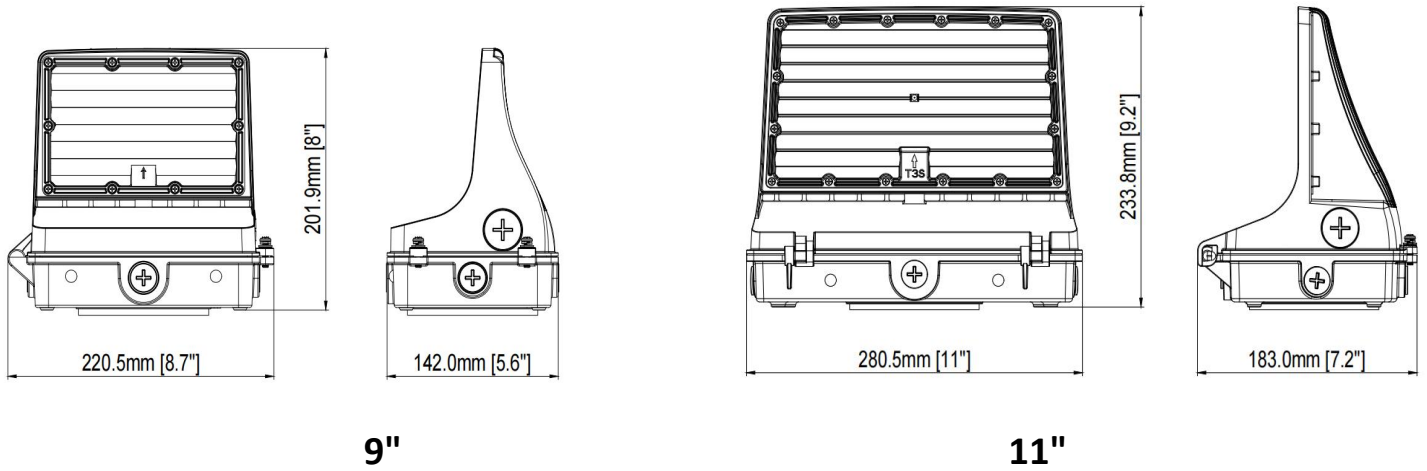
- Wall Mount

Accessories (Sold separately)

Picture	Item #	Description
	ACC-WP10A-9-GS	WP10A Glare Shield for 9" fixture
	ACC-WP10A-11-GS	WP10A Glare Shield for 11" fixture
	ANT-5-ZT	Sharkward Zhaga Microwave Motion Sensor
	ANT-5-ZT-BLE-GE	Sharkward Zhaga Bluetooth Microwave Motion Sensor
	HD07VR-MHF-1	Haisen Plug-in Microwave Motion Sensor
	YH36-04WL-300	4W Streamer Emergency driver for 9" fixture
	YH36-09WL-300	9W Streamer Emergency driver for 11" fixture

Product Dimension

(unit: mm & inch)



Packing Info.

Product Size (inch&mm)	Product & Package Weight (KG)		Carton Size (inch&mm)	Q'ty/CTN (PCS)	20GP (PCS)	40HQ (PCS)
	N.W./PC	G.W./CTN				
9" 8.7"*5.6"*8.0" 220.5*142.0*201.9 mm	1.56	1.8	9.3"*6.7"*8.7" 235*170*221mm	1	3180	7172
11" 11.0"*7.2"*9.2" 280.5*183.0*233.8 mm	2.15	2.54	11.5"*8.0"*9.8" 292*203*249mm	1	1944	4450