



### Description

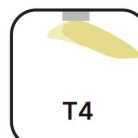
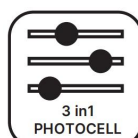
LUMICOR's new LED semi-cutoff wall packs are your first choice for wall mounted lighting projects. 3 IN 1 switch is selectable for CCT, wattage, and photocell ON/OFF control. D2D photocell can automatically turn off at sunrise or during the day, and automatically light up at sunset or night. It is a highly efficient lighting solution that provides a long-lasting and energy-saving.

### Application

- Factory
- Warehouse
- Walkways
- Hallways
- Outdoor Commercial
- Outdoor Residential

### Certificate

- UL
- DLC



## Key Features

- High efficacy up to 150 lm/W.
- 3CCT(3000/4000/5000K) and 4 wattages selectable offer SKU reduction.
- AC120-277V & AC120-347V for options.
- High UV resistance polycarbonate lens version provides uniform lighting distribution and large beam angle.
- The Borosilicate prismatic glass version provides a durable lifetime and good texture.
- ADC12 Aluminum die-casting housing provides excellent heat dissipation.
- Automated dusk-to-dawn photocell functionality.
- Reflector and wire guard accessories available.
- Microwave motion sensor and emergency driver available.
- Waterproof rated IP65.

## Durable die-cast aluminum housing



Microwave motion sensor  
(Zhaga receptacle)

## Two kinds of lens

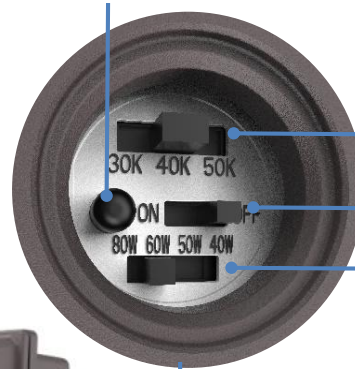


Glass



Polycarbonate

## Built-in photocell



## Field-adjustable CCT

3CCT Selectable: 3000K/4000K/5000K

## Photocell ON/OFF

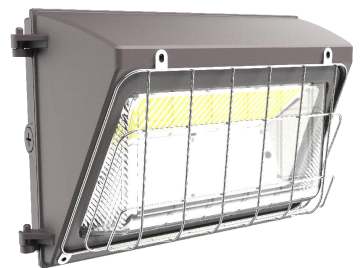
## Field-adjustable wattage

4 Wattage selectable.

## 1/2" Knockouts



## Wall pack with glare shield



## Wall pack with wire guard

# LED Semi-Cutoff Wall Pack - LM-WP-09A

## Performance Summary

| Model NO. #                | Size | Watts                         | 3 CCT   | LPW     | Lumens(±10%) | Voltage                  | DIM             | CRI | Beam Angle |
|----------------------------|------|-------------------------------|---|---------|--------------|--------------------------|-----------------|-----|------------|
| LM-WP-09A-10-40SW-9D-3CCT  | 10"  | 15/20/30/40W<br>Selectable    | 3CCT<br>Selectable<br>3000K<br>4000K<br>5000K | 150lm/W | 6000LM@40W   | AC120-277V<br>AC120-347V | 0-10V<br>driver | >80 | Type IV    |
| LM-WP-09A-10-80SW-9D-3CCT  | 10"  | 40/50/60/80W<br>Selectable    |   |         | 12000LM@80W  |                          |                 |     |            |
| LM-WP-09A-14-40SW-9D-3CCT  | 14"  | 15/20/30/40W<br>Selectable    |   |         | 6000LM@40W   |                          |                 |     |            |
| LM-WP-09A-14-80SW-9D-3CCT  | 14"  | 40/50/60/80W<br>Selectable    |   |         | 12000LM@80W  |                          |                 |     |            |
| LM-WP-09A-14-120SW-9D-3CCT | 14"  | 60/90/100/120W<br>Selectable  |   |         | 18000LM@120W |                          |                 |     |            |
| LM-WP-09A-18-150SW-9D-3CCT | 18"  | 80/100/120/150W<br>Selectable |   |         | 22500LM@150W |                          |                 |     |            |

Remarks: 1. All above efficacy and lumens are subject to CRI>80 @4000K, please check IES files for accurate data.  
 2. LM-WP-09A-14-120SW-9D-3CCT, SW denotes wattage selectable; 9 denotes voltage AC120-347V; D denotes 0-10V dimming.  
 3. CCT & Power Selectable models ship preset at the highest CCT and the highest wattage. Factory default settings for Photocell is ON.

## Performance

- LED Type: SMD2835
- Frequency: 50/60HZ
- Power Factor: ≥0.90
- Operating Temp.: -40°F to 113°F (-40°C to +45°C)
- IP Rating: IP65
- THD: <20%
- Life Time: L70 @ 50,000Hrs
- Surge Protection: L/N 6KV, L/N-P 6KV  
L-N/L&N-PE:4+6KV(120-277V, 40W)

## Construction

- Lens: Glass / Polycarbonate
- Housing: Die-cast aluminum
- Finish: Bronze, Custom finishes available






## Mounting

- Wall Mount
- Five 1/2" knockouts: one on each side for convenient installation

## Accessories (Sold separately)

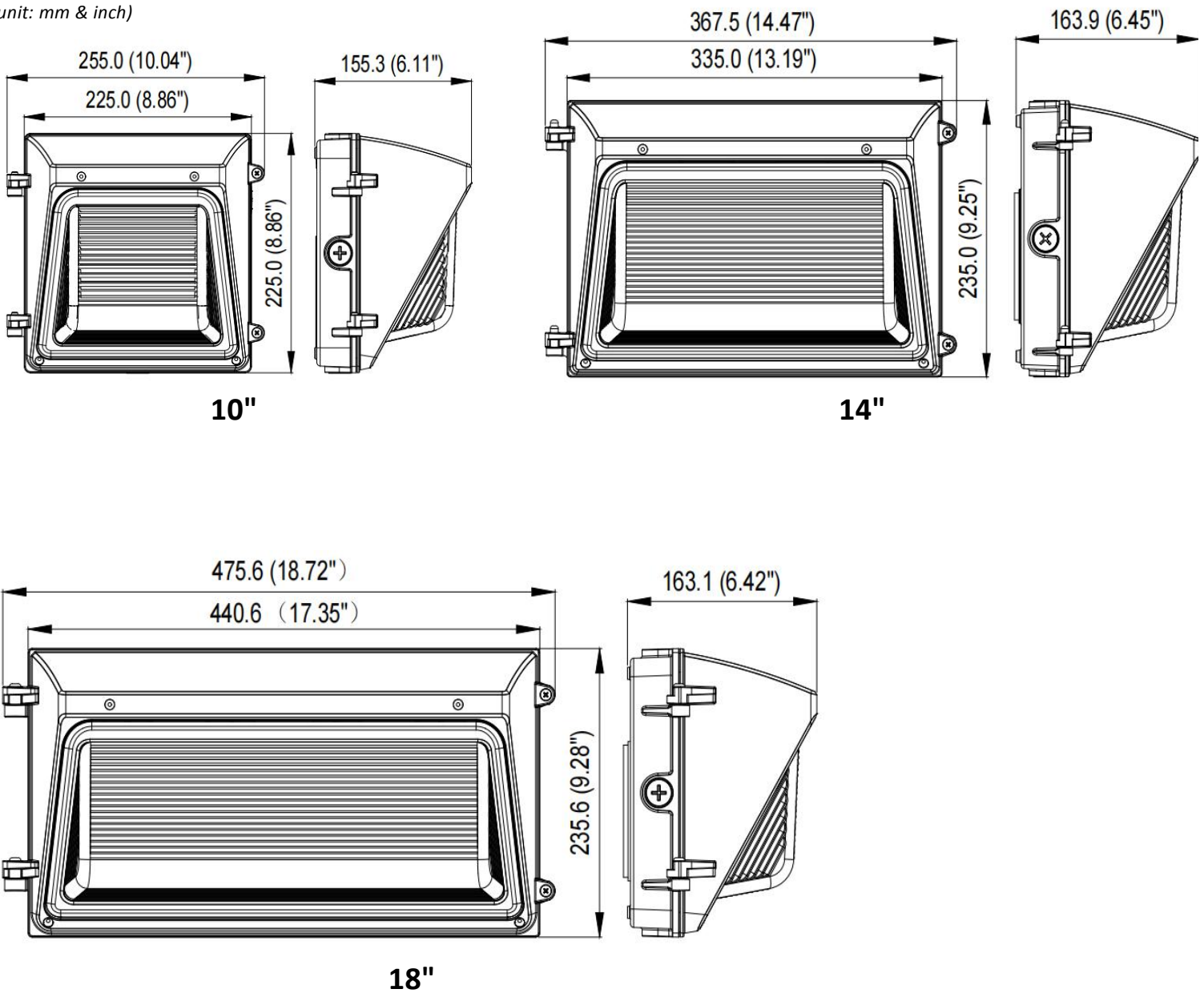
| Picture   | Item#        | Description  |
|---|--------------|--------------|
|  | ACC-WP09A-WG | Wire Guard   |
|  | ACC-WP09A-GS | Glare Shield |

# LED Semi-Cutoff Wall Pack - LM-WP-09A

|   |                                |  |
|---|--------------------------------|--|
|  | BLD-YM04S, 4W<br>BLD-YM08S, 8W | Billda emergency driver, 4W for 10"&14" 40W fixture;<br>8W for 10" 80W fixture, 14" 80W&120W fixture |
|  | BLD-CM15N, 15W                 | Billda emergency driver for 18" 150W fixture   |
|  | ANT-5-ZT                       | Sharkward microwave motion sensor  |
|  | ANT-5-ZT-BLE-GE                | Sharkward bluetooth microwave motion sensor  |
|  | RC-100                         | Remote controller  |

## Product Dimension

(unit: mm & inch)



## Packing Info.

| Product Size<br>(inch & mm)                           | N.W./PCS (KG) |         | G.W./CTN (KG) |         | Carton Size<br>(inch & mm)        | Q'ty/CTN<br>(PCS) | 20GP<br>(PCS) | 40HQ<br>(PCS) |
|---|---------------|---------|---------------|---------|-----------------------------------|-------------------|---------------|---------------|
|   | Glass lens    | PC lens | Glass lens    | PC lens |                                   |                   |               |               |
| <b>10"</b><br>10.04*8.86*6.11"<br>255.0*225.0*155.3mm | 2.3           | 1.9     | 3.0           | 2.6     | 11.1×10.91×8.46"<br>282×277×215mm | 1                 | 1600          | 3696          |
| <b>14"</b><br>14.47*9.25*6.45"<br>367.5*235.0*163.9mm | 3.3           | 2.7     | 4.1           | 3.5     | 15.79×11.3×8.66"<br>401×287×220mm | 1                 | 1110          | 2541          |
| <b>18"</b><br>18.72*9.28*6.42"<br>475.6*235.6*163.1mm | 4.6           | 3.7     | 5.5           | 4.6     | 20.04×11.5×8.66"<br>509×292×220mm | 1                 | 850           | 1958          |