



### Description

LUMICOR's mini wall lights use the latest high-performance LED chips, which are high-brightness and low-energy consumption. They can be configured with automatic light-sensing functions that automatically turn off at sunrise or during the day, and automatically light up at sunset or night, making them highly energy-efficient. A dip switch for photocell and 5CCT to save SKUs. The driver-on-board design makes the light highly cost-effective. The product is IP 65 waterproof, its lamp body is composed of a polycarbonate shell and an optical polycarbonate lens. A wide range of applications include stairwells, hallways, and entryways in commercial and residential settings.

### Application

- Security lighting
- Entryways
- Stairwells
- Hallways
- Outdoor commercial
- Outdoor residential

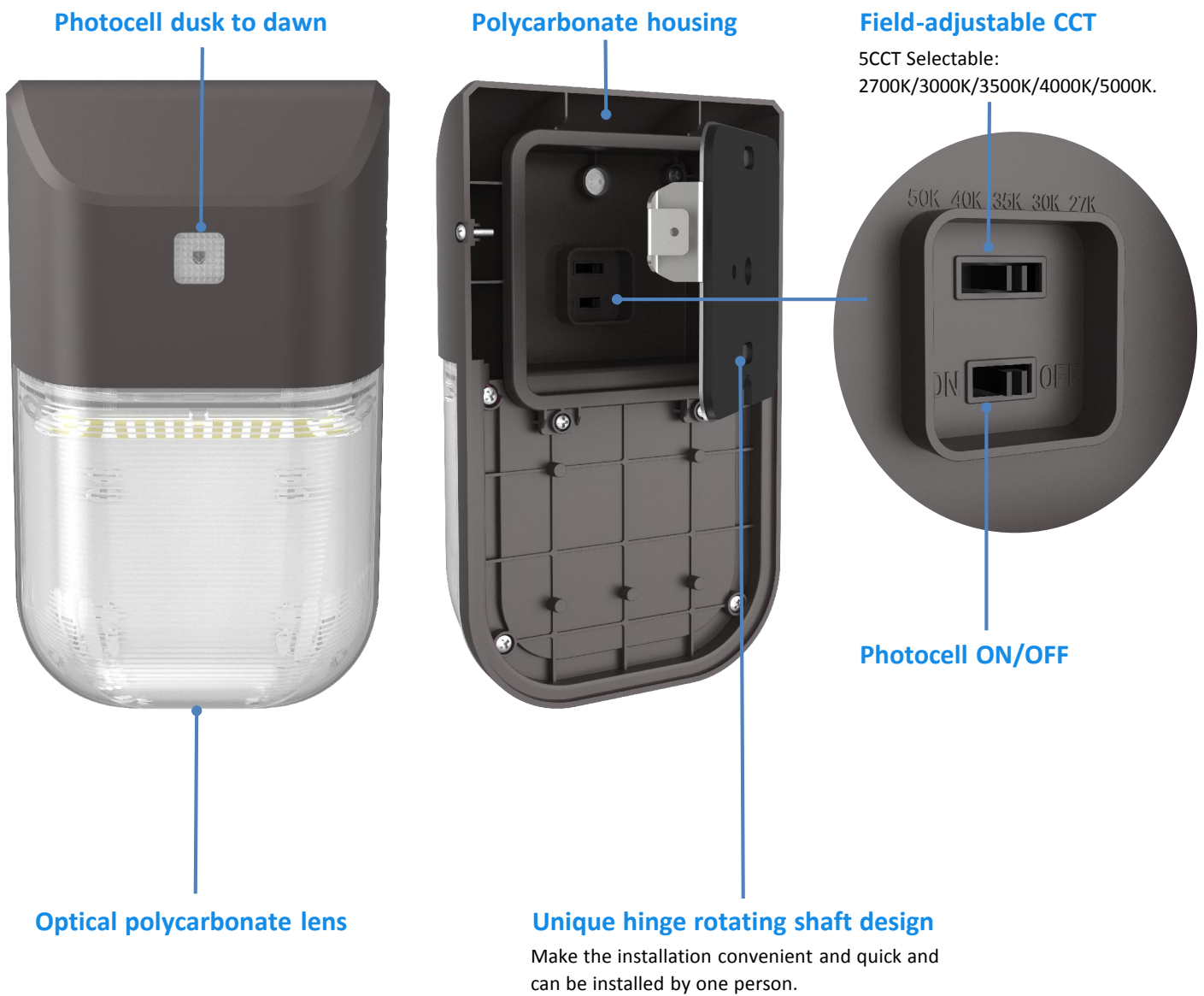
### Certificate

- ETL



## Key Features

- Efficacy up to 120lm/W.
- Driver-on-board design, highly cost-effective.
- 5CCT(2700/3000/3500/4000/5000K) Selectable to save SKUs.
- Unique hinge rotating shaft installation structure design allows single-person operation and shortens installation time.
- Integrated design of lamps, during the installation process, there is no need to disassemble the lamps for a long time.
- Excellent optical structure design to reduce light pollution caused by glare.
- Novel appearance design with a waterproof rating of IP65.



# LED Mini Wall Pack - LM-WP-23

## Performance Summary

Model NO. #	Size	Watts	5 CCT	LPW	Lumens(±10%)	Voltage	DIM	CRI	Beam Angle
LM-WP-23-15SW-5CCT	225*135*60 mm	15W	5CCT Selectable 2700K 3000K 3500K 4000K 5000K	120lm/W	1800 LM @ 15W	AC 120V	Triac	CRI>80	100°
LM-WP-23-20SW-5CCT	225*135*60 mm	20W		120lm/W	2400 LM @ 20W				100°

Remarks: All above efficacy and lumens are subject to CRI>80 @4000K please check IES files for accurate data.

LM-WP-23-20SW-5CCT, SW denotes wattage selectable; 9 denotes voltage AC120-347V; D denotes 0-10V dimming.

CCT Selectable models ship preset at the highest CCT. Factory default settings for Photocell is ON.

## Performance

- LED Type: SMD2835
- Power Factor: 0.8
- IK Rating: IK08
- Frequency: 50/60HZ
- IP Rating: IP65
- Operating Temp.: -4°F to 113°F (-20°C to +45°C)
- Surge Protection: L/N 1KV, L/N-P 1KV

## Construction

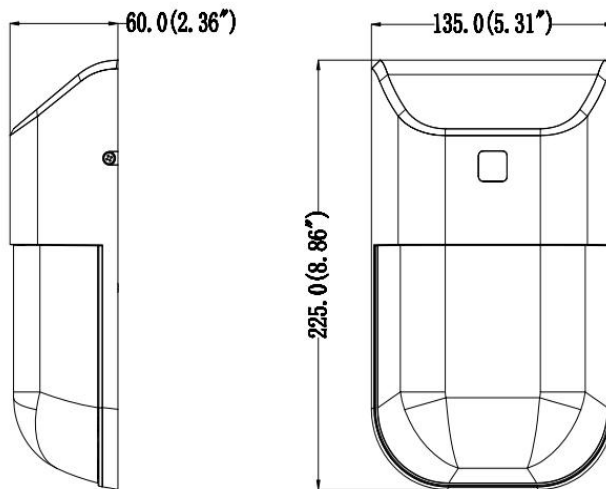
- Lens: Polycarbonate
- Housing: Polycarbonate
- Finish: Bronze and White (Standard); Black (Customized)

## Mounting

- Wall Mount

## Product Dimension

(unit: mm & inch)



15W / 20W

## Packing Info.

Size	Product Weight (kg)		Product Weight (kg)		Carton Size(mm)	Q'ty/BOX (PCS)	Q'ty/CTN (PCS)	20GP (PCS)	40HQ (PCS)
	N.W./PC	G.W./PC	N.W./CTN	G.W./CTN					
15W/20W	0.53	0.63	7.56	8.45	485*450*200mm (19.10"*17.72"*7.87")	1	12	7697	18694