



Description

LUMICOR's LED sport lights are very suitable for sports field lighting, suitable for various sports fields such as basketball courts, football fields, tennis courts, etc. Lamps have the characteristics of high brightness, waterproof, and anti glare, which can ensure good lighting effects in various weather and environments.

Application

- Soccer Field
- Baseball Field
- Basketball Court
- Stadium Arena
- High Mask

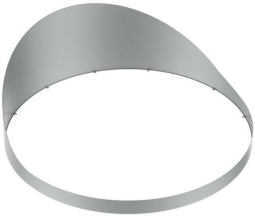
Certificate

- UL
- DLC



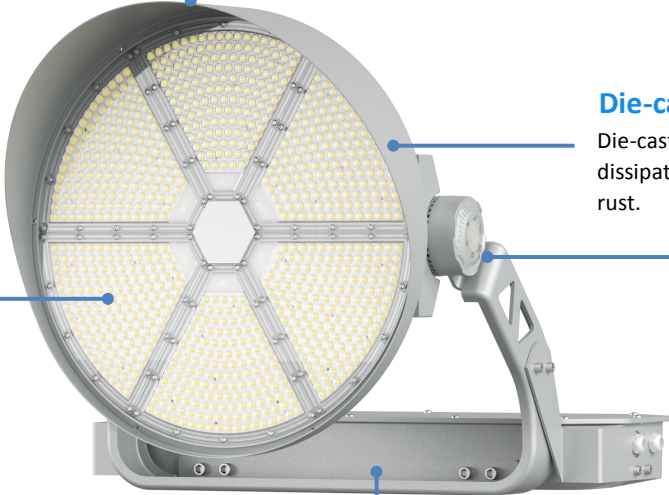
Key Features

- High efficacy up to 145lm/W.
- Die-casting aluminum housing has undergone anti-corrosion.
- Multiple Beam Angles 25°, 45°, 60° and 90° options.
- Removable and remotely mountable power supply box(es).
- AC120-277V & AC277-480V for options.
- Waterproof rated IP66.



Visor

Effectively control the spill light, upward light and avoid the lighting pollution.



Die-cast Aluminum Housing

Die-cast aluminum housing provides great heat dissipation, corrosion-resistant treatment, and anti-rust.

Raked Angle

Widely adjustable mounting bracket with degree indicator.

Polycarbonate Lens & Multiple Beam Angles

Anti-UV and high mechanical strength. 25°, 45°, 60° and 90° for options.

Aluminum Removable Driver Box

Removable and remotely mountable power supply box(es) with tool-free access for quick and easy wiring.



Performance Summary

Model NO. #	Watts	CCT	LPW	Lumens(±10%)	Voltage	CRI	Dim	Beam Angle
LM-SP-53-500SW-3CCT	500/400/300W Selectable	Single CCT 4000K 5000K 5700K	145lm/W	72500LM	AC120-277V AC277-480V	CRI>70	0-10V	25°, 45°, 60° and 90°
LM-SP-68-800SW-3CCT	800/600/400W Selectable			116000LM				
LM-SP-68-1300SW-3CCT	1300/900/750/600W Selectable			188500LM				

Remarks: 1. All above efficacy and lumens are subject to CRI>70 @5000K, please check IES files for accurate data.
 2. LM-SP-68-1300SW-3CCT, SW denotes wattage selectable.
 3. All value are typical (tolerance±10%)

Performance


- LED Chips: SMD3030
- THD: <20%
- IP Rating: IP66
- Power Factor: ≥0.95
- Frequency: 50/60Hz
- Surge Protection: L/N 10KV, L/N-P 10KV
- Operating Temp.: -35°C to +40°C (-31°F to 104°F)

Construction

- Lens: Polycarbonate
- Housing: Die-cast Aluminum
- Visor: 1060 Aluminum
- Finish: Gray

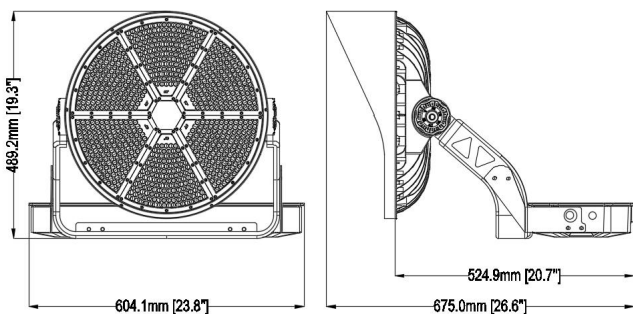


Accessories (Sold separately)

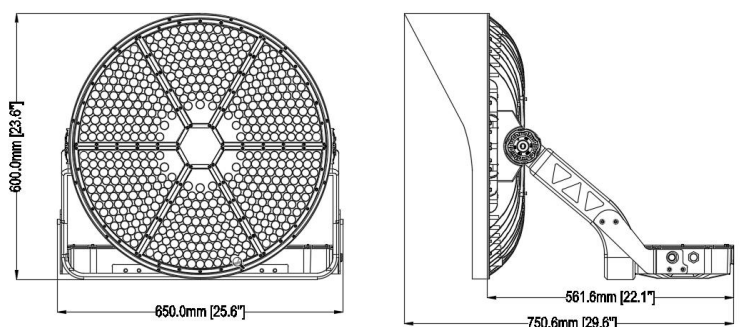
Picture	Item#	Description
	803	Laser pointer for Sports Light aiming

Product Dimension

(unit: mm & inch)

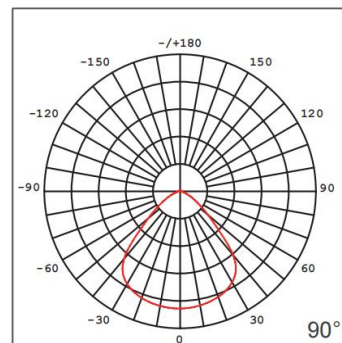
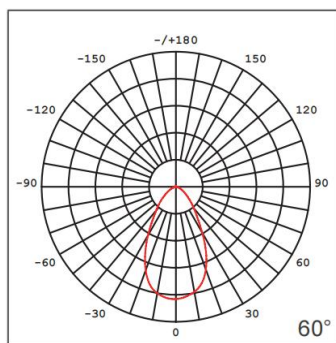
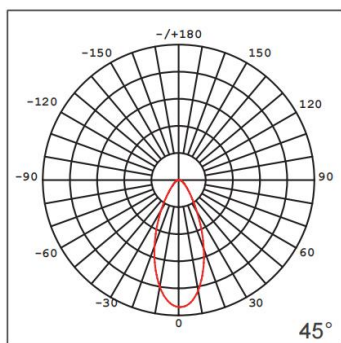
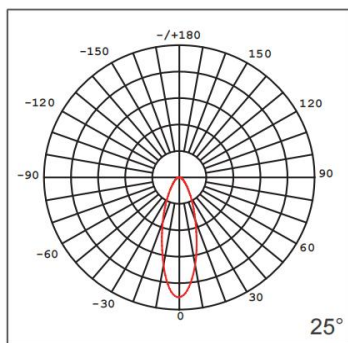


500W



800W&1300W

Distribution



Packing Info.

Product Size(mm & inch)	Net Weight (KG)	Gross Weight (KG)	Carton Size(mm & inch)	Q'ty/CTN (PCS)	20GP (PCS)	40GP (PCS)	40HQ (PCS)
500W 675*604.1*489.2mm 26.6"X23.8"X19.3"							
800W 750.6*650*600mm 29.6"X25.6"X23.6"	29.15	33.65	880×670×430mm 34.7"×26.4"×17"	1	100	215	258
1300W 750.6*650*600mm 29.6"X25.6"X23.6"	30.90	35.4	880×670×430mm 34.7"×26.4"×17"	1	100	215	258