



Description

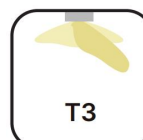
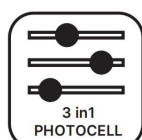
LUMICOR's new LED full-cutoff wall packs are your first choice for wall-mounted lighting projects. 3 IN 1 switch is selectable for CCT, wattage, and photocell ON/OFF control. D2D photocell can automatically turn off at sunrise or during the day, and automatically light up at sunset or night. It is a highly efficient lighting solution that provides long-lasting and energy-saving.

Application

- Factory
- Warehouse
- Walkways
- Hallways
- Outdoor Commercial
- Outdoor Residential

Certificate

- UL
- DLC



LED Full-Cutoff Wall Pack - LM-WP-28

Key Features

- High efficacy up to 170 lm/W.
- 3CCT(3000/4000/5000K) and 4 Wattages Selectable offer SKU reduction.
- AC120-277V & AC120-347V for options.
- Professional optical design meets the DLC full cut-off wall pack standard.
- ADC12 Aluminum die-casting housing provides excellent heat dissipation.
- Automated Dusk to Dawn photocell functionality.
- Microwave motion sensor and emergency driver available.
- Waterproof rated IP65.

Die-cast aluminum housing

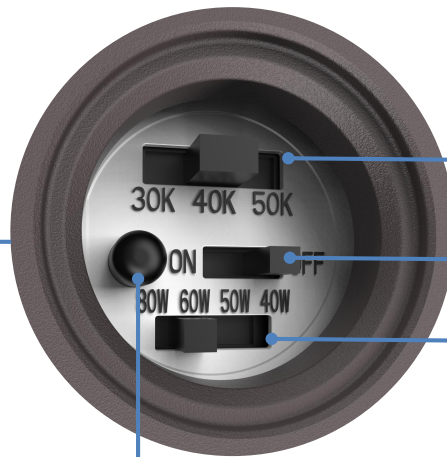
Durable housing provides good heat dissipation.

1/2" Knockouts

Optical polycarbonate lens

DLC Standard Full cut-off wall pack.

Microwave motion sensor (Zhaga receptacle)



Field-adjustable CCT

3CCT Selectable: 3000K/4000K/5000K.

Photocell ON/OFF

Field-adjustable wattage

4 Wattage selectable.

Built-in photocell

LED Full-Cutoff Wall Pack - LM-WP-28

Performance Summary

Model NO. #	Size	Watts	3 CCT	LPW	Lumens(±10%)	Voltage	Dim	CRI	Beam Angle
LM-WP-28-10-40SW-9D-3CCT	10"	15/20/30/40W Selectable	3CCT Selectable 3000K 4000K 5000K	170lm/W	6800LM @40W	AC120-277V AC120-347V	0-10V driver	>80	Type III
LM-WP-28-10-80SW-9D-3CCT	10"	40/50/60/80W Selectable			13600LM @80W				
LM-WP-28-14-60SW-9D-3CCT	14"	30/40/50/60W Selectable			10200LM @60W				
LM-WP-28-14-80SW-9D-3CCT	14"	40/50/60/80W Selectable			13600LM @80W				
LM-WP-28-14-120SW-9D-3CCT	14"	60/90/100/120W Selectable			20400LM @120W				

Remarks: 1. All above efficacy and lumens are subject to CRI>80 @4000K, please check IES files for accurate data.

2. LM-WP-28-14-120SW-9D-3CCT, SW denotes wattage selectable; 9 denotes voltage AC120-347V; D denotes 0-10V dimming.

3. CCT & Power Selectable models ship preset at the highest CCT and the highest wattage. Factory default settings for Photocell is ON.

Performance

- LED Type: SMD2835
- Frequency: 50/60HZ
- Power Factor: ≥0.90
- THD: <20%
- IP Rating: IP65
- Life Time: L70 @ 50,000Hrs
- Surge Protection: L/N 6KV, L/N-P 6KV
L-N/L&N-PE:4+6KV (120-277V, 40W)
- Operating Temp.: -40°F to 122°F (-40°C to +50°C) for Standard,
-40°F to 113°F (-40°C to +45°C) for EM version




Construction

- Lens: Polycarbonate
- Housing: Die-cast aluminum
- Finish: Bronze, Custom finishes available

Mounting

- Wall Mount
- Five 1/2" knockouts: one on each side for convenient installation

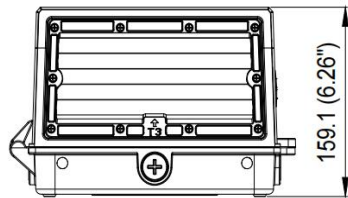
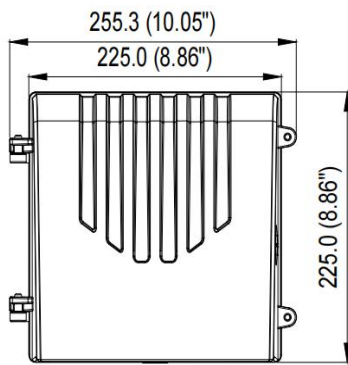
Accessories (Sold separately)

Picture	Item #	Description
	ANT-5-ZT	Sharkward Zhaga Microwave Motion Sensor
	ANT-5-ZT-BLE-GE	Sharkward Zhaga Bluetooth Microwave Motion Sensor
	RC-100	Sharkward Remote controller
	BLD-YM04S, 4W BLD-YM08S, 8W	Billda Emergency driver, 4W for 10" 40W fixture; 8W for 10" 80W fixture, 14" 60W-120W fixture

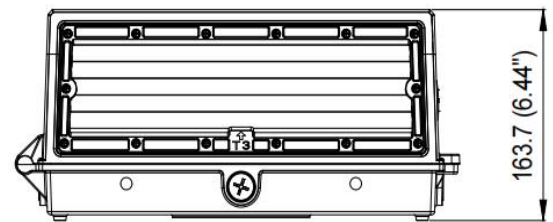
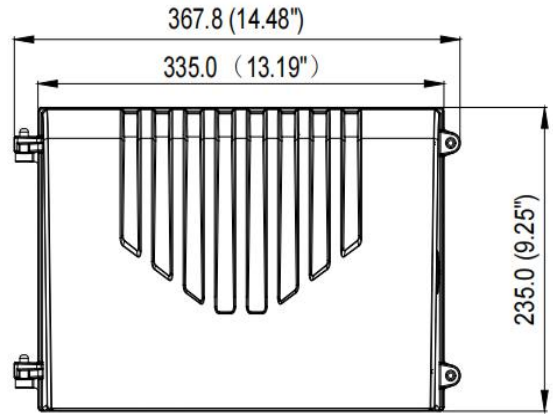
LED Full-Cutoff Wall Pack - LM-WP-28

Product Dimension

(unit: mm & inch)



10"



14"

Packing Info.

Product Size (inch&mm)	Product & Package Weight (KG)		Carton Size (inch&mm)	Q'ty/CTN (PCS)	20GP (PCS)	40HQ (PCS)
	N.W./PC	G.W./CTN				
10" 10.05*8.86*6.26" 255.3*225.0*159.1mm	1.7	2.4	12.24*11.02*8.46" 311*280*215mm	1	1460	3333
14" 14.18*9.25*6.44" 367.8*235.0*163.7mm	2.7	3.5	16.73*11.42*8.54" 425*290*217mm	1	1030	2365