



Description

SDL01 is a LED down light featuring a super slim lamp body design with a thickness of less than 1 inch. Utilizing an edge-lit design and an optical diffuser, it delivers exceptionally soft and comfortable light. With five CCT options selectable via a DIP switch, this panel light offers flexible lighting choices. Triac dimming is configured as standard to meet various dimming requirements. Installation is straightforward, with a mounting plate designed to fit standard junction boxes. Additionally, the panel light is available in both circular and square options, catering to diverse application needs.

Application

- Residential areas
- Entryways
- Office
- Retail
- Schools
- Lobbies
- Hallways
- Banquet halls

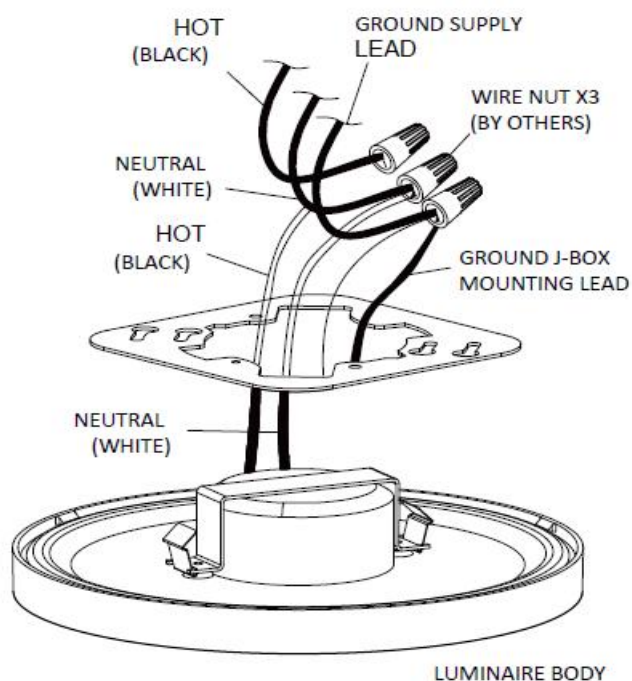
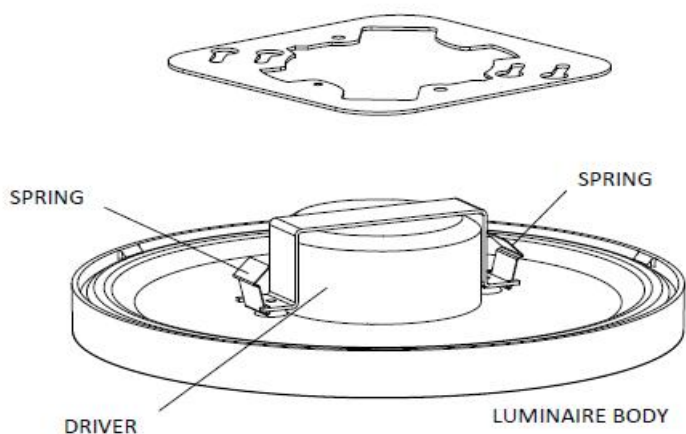
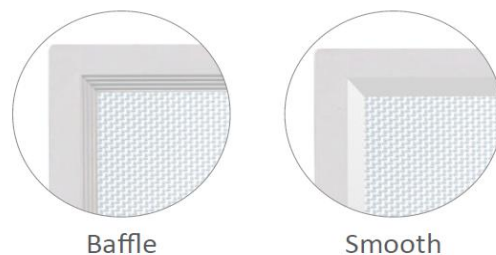
Certificate

- UL



Key Features

- 5CCT Selectable: 2700K/3000K/3500K/4000K/5000K
- Up to 70% energy saving compared to standard CFL
- Come with 2 shapes: round & square
- Suitable for wet location
- Easy to install, mounting plate to fit standard junction-box
- Super slim lamp body design with thickness within 1 inch
- Edge-lit design and adopt optical diffuser make light extremely soft and comfortable



Performance Summary

Model NO. #	Size (inch)	Watts	CCT	LPW	Lumens(±10%)	Voltage	DIM	CRI	Beam Angle	
LM-SDL01-R-5-10W-C1	5"	10W	Single CCT 2700K - 6500K	80lm/W	800lm	120V	Triac	80 / 90	90°	
LM-SDL01-R-7-14W-C1	7"	14W			1120lm					
LM-SDL01-S-5-10W-C1	5"	10W			800lm					
LM-SDL01-S-6-14W-C1	6"	14W			1120lm					
LM-SDL01-R-5-10W-C5	5"	10W			5 CCT 2700K / 3000K / 3500K / 4000K / 5000K Selectable					800lm
LM-SDL01-R-7-14W-C5	7"	14W			1120lm					
LM-SDL01-S-5-10W-C5	5"	10W			800lm					
LM-SDL01-S-6-14W-C5	6"	14W			1120lm					

Remarks: All above efficacy and lumens are subject to CRI80 @4000K, CRI90 is less 10-15%, please check IES files for accurate data.

Performance

- LED Type: SMD2835
- Frequency: 60Hz
- Dimming: Triac Dimming
- THD: <20%
- Power Factor: ≥ 0.90
- Distribution: 90 degree
- Fixture Rating: Wet Location
- Life Time >40,000 Hrs
- Operating Temp.: -20°C to +40°C
- ON/OFF: Yes
- Emergency driver: No
- Sensor: No

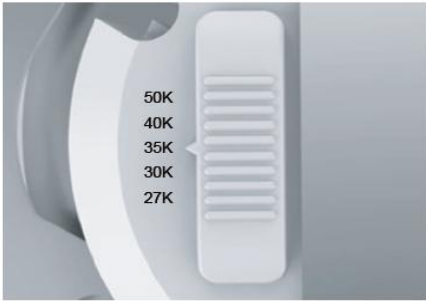
Construction

- Lens: PET
- Housing: Plastic
- Finish: White (Standard); Other (Customized)

Mounting

- Surface Mount

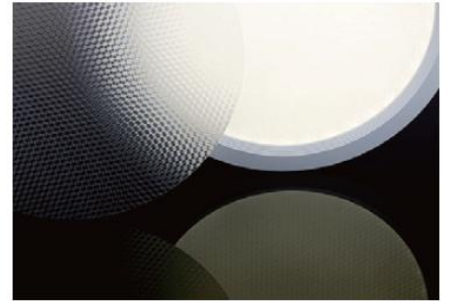
PRODUCT APPEARANCE



5CCT Selectable
DIP Switch

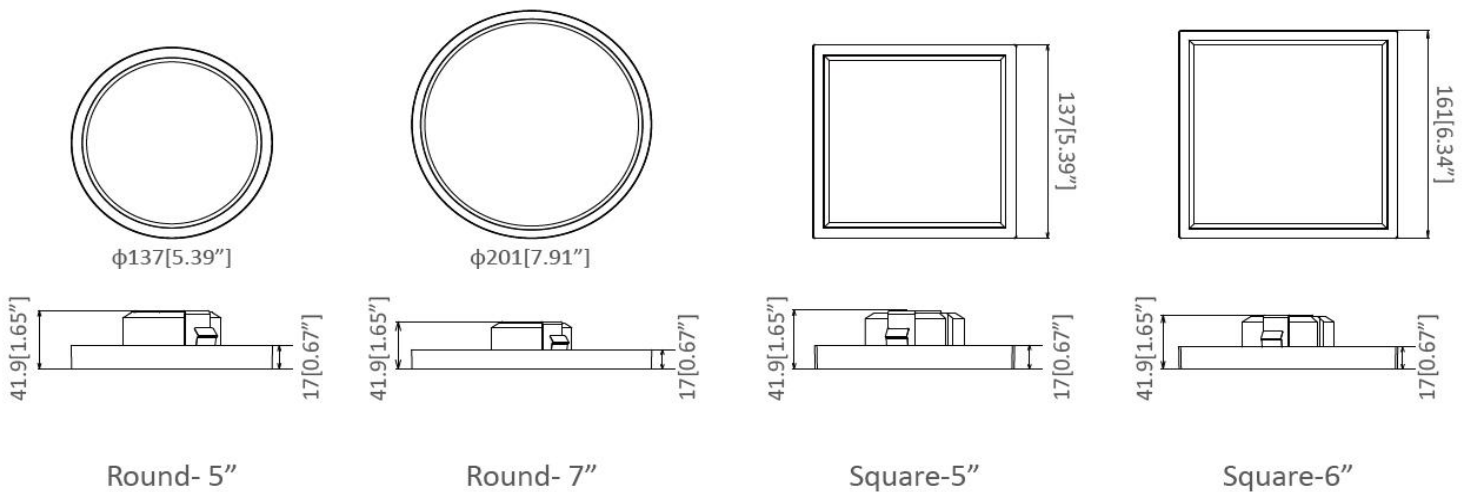


Mount plate fit on
standard J-box



Optical diffuser for soft
and comfortable light

PRODUCT DIMENSION (Unit: mm)



Package Info.

Model NO. #	Product Weight (KGS)		Package weight (KGS)		Master Carton Size (mm&inch)	Q'ty/Inner Box (PCS)	Q'ty/CTN (PCS)	20GP (PCS)	40HQ (PCS)
	N.W/PCS	G.W/PCS	N.W/PCS	G.W/PCS					
LM-SDL01-R-5-10W-C1	0.36	0.54	/	25.8	510*490*390mm 20.08 x 19.29 x 15.35 "	1	54	15536	30672
LM-SDL01-R-7-14W-C1	0.56	0.76	/	16.0	475*465*390mm 18.70 x 18.31 x 15.35 "	1	24	7680	15360
LM-SDL01-S-5-10W-C1	0.42	0.60	/	24.2	510*490*390mm 20.08 x 19.29 x 15.35 "	1	54	15336	30672
LM-SDL01-S-6-14W-C1	0.50	0.68	/	20.0	585*385*390mm 23.03 x 15.16 x 15.35 "	1	36	11304	22680