

Description

UCL02 is a patented indirect lighting design under cabinet light, adopts diffuse reflection structure technology to ensure very soft lighting, no dazzling. The internal structure of the product is made of aviation aluminum, which makes the whole product full of advanced sense. Splicing function is available, 3 adjustable color temperatures is suitable for auxiliary lighting requirements in different environments. Each product Equipped with an independent switch to better control the use of a single lamp.

Application

- Kitchen cabinets
- Bedroom wardrobe
- Living room shelves
- Supermarket shopping rack
- Shop shelves

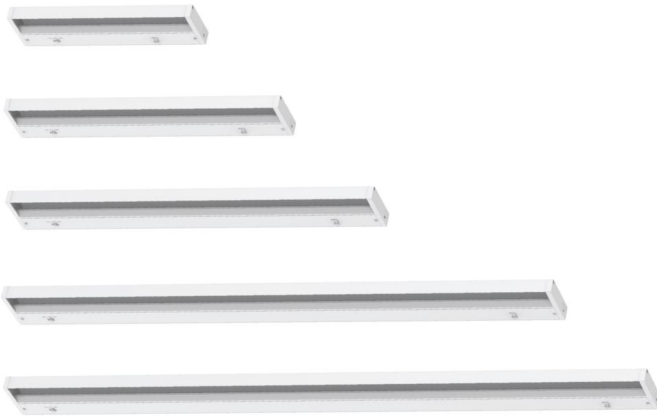
Certificate

- ETL



Key Features

- Expected Life: Projected life of at least 50,000 hours.
- Lens: Frosted, impact-resistant acrylic.
- Electrical: Universal voltage (100-130VAC) input, 50/60 Hz.
- Driver: High-performance driver features over-voltage, over-current, and short-circuit protection.
- Finish: All reflective surfaces are finished with a high-reflectance, lighting fixture white polyester powder.
- Certification: ETL.
- Warranty: Limited 5-Year Warranty.



3 CCT Selectable



Switch control on/off

Performance Summary (Single Run / Triac DIM & Continuous Run / Non DIM)

Model NO. #	Size (mm)&(inch)	Watts	CCT	LPW	Lumens(±10%)	Voltage	DIM	CRI	Beam Angle
LM-UCL02-12-8W-C3	305*85*25mm 12.01 × 3.35 × 0.98"	8W	3 CCT 3000K / 3500K / 4000K	80-90lm/W	650-720lm	AC 120V	Triac	90	100°
LM-UCL02-18-12W-C3	457*85*25mm 17.99 × 3.35 × 0.98"	12W			960-1050lm				
LM-UCL02-24-16W-C3	609.6*85*25mm 24.00 × 3.35 × 0.98"	16W			1250-1350lm				
LM-UCL02-36-24W-C3	914.4*85*25mm 36.00 × 3.35 × 0.98"	24W			1950-2130lm				
LM-UCL02-48-28W-C3	1066.8*85*25mm 42.00 × 3.35 × 0.98"	28W			2400-2680lm				
LM-UCL02-12-7W-C3	305*85*25mm 12.01 × 3.35 × 0.98"	7W	3 CCT 3000K / 3500K / 4000K	80-90lm/W	650-720lm	AC 120V	Non	90	100°
LM-UCL02-18-11W-C3	457*85*25mm 17.99 × 3.35 × 0.98"	11W			870-950lm				
LM-UCL02-24-15W-C3	609.6*85*25mm 24.00 × 3.35 × 0.98"	15W			1250-1350lm				
LM-UCL02-36-22W-C3	914.4*85*25mm 36.00 × 3.35 × 0.98"	22W			1860-2030lm				
LM-UCL02-48-26W-C3	1066.8*85*25mm 42.00 × 3.35 × 0.98"	26W			2080-2340lm				

Remarks: All above efficacy and lumens are subject to white finish @4000K, please check IES files for accurate data.
CCT & Power Selectable models ship preset at the highest CCT.

Accessories (sold separately)

Photo	Model NO. #	Description
	LM-UCL02-ACC-JC-14	Jump Cable for continuous run connection. Length is 14".
	LM-UCL02-ACC-PC-47	Power Cable for electrical input Length is 47".

Performance

- LED Type: SMD2835
- Frequency: 60Hz
- Dimming: Triac Dimming
- Dimming compatible controls: Lutron
- Power Factor: ≥ 0.90
- Distribution: 100 degree
- Location rating: Dry location
- Life Time: L70 @ 50,000Hrs
- Operating Temp.: - 4°F to 104°F (-20°C to 45°C)
- Storage temp:- 4°F to 149°F(-20°C to 65°C)
- Emergency driver: No
- Sensor: No

Construction

- Housing: AL6063 Aluminum Die Casting
- Back cover: PC
- Finish: White (Standard); Other (Customized)

Accessory bag (included)



Hardware connector
x 1pcs



Wire nuts
x 3pcs

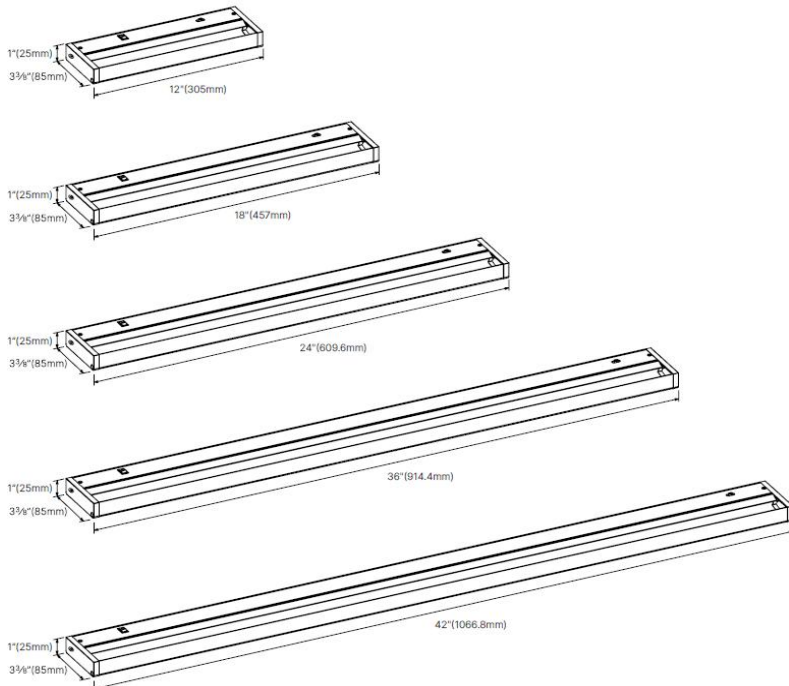


Screws
x 2pcs

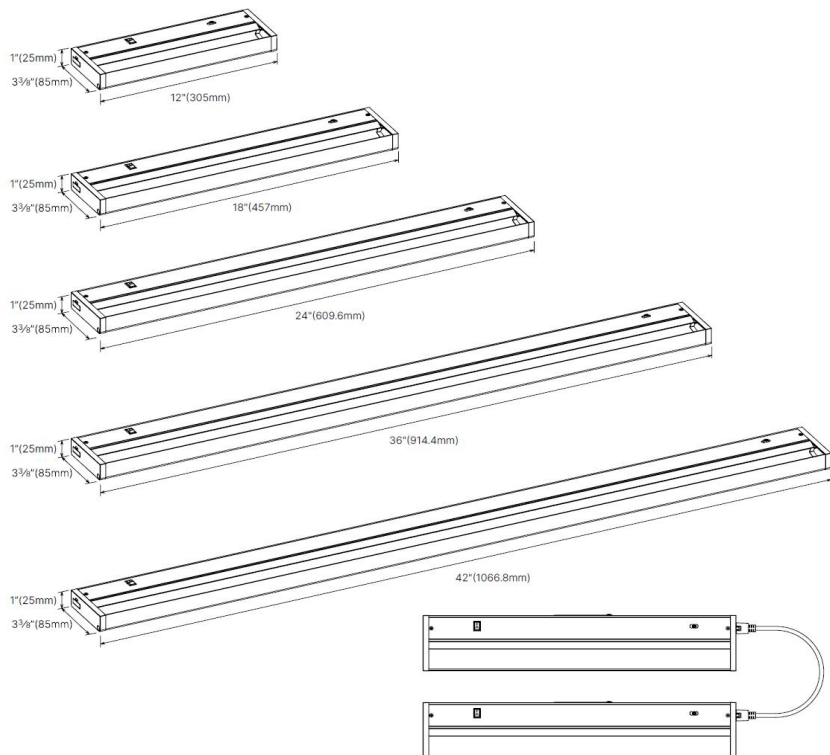
Mounting

- Surface Mount

PRODUCT DIMENSION (Single Run Triac DIM) (Unit: mm)



PRODUCT DIMENSION (Continuous Run Non DIM) (Unit: mm)



Package Info.

Model NO. #	Product Weight (KGS)		Package weight (KGS)		Master Carton Size (mm&inch)	Q'ty/Inner Box (PCS)	Q'ty/CTN (PCS)	20GP (PCS)	40HQ (PCS)
	N.W/PCS	G.W/PCS	N.W/PCS	G.W/PCS					
LM-UCL02-12-8W-C3	0.82	1.06	19.58	26.83	305*85*25mm 12.01 x 3.35 x 0.98 "	1	24	11760	27840
LM-UCL02-18-12W-C3	1.14	1.46	20.64	27.73	457*85*25mm 17.99 x 3.35 x 0.98 "	1	18	8316	20160
LM-UCL02-24-16W-C3	1.47	1.83	17.72	23.48	609.6*85*25mm 24.00 x 3.35 x 0.98 "	1	12	6840	15708
LM-UCL02-36-24W-C3	2.15	2.62	25.93	33.47	914.4*85*25mm 36.00 x 3.35 x 0.98 "	1	12	4920	11088
LM-UCL02-48-28W-C3	2.49	3.11	14.95	20.08	1066.8*85*25mm 42.00 x 3.35 x 0.98 "	1	6	3840	9108
LM-UCL02-12-7W-C3	0.82	1.06	19.58	26.83	305*85*25mm 12.01 x 3.35 x 0.98 "	1	24	11760	27840
LM-UCL02-18-11W-C3	1.14	1.46	20.64	27.73	457*85*25mm 17.99 x 3.35 x 0.98 "	1	18	8316	20160
LM-UCL02-24-15W-C3	1.47	1.83	17.72	23.48	609.6*85*25mm 24.00 x 3.35 x 0.98 "	1	12	6840	15708
LM-UCL02-36-22W-C3	2.15	2.62	25.93	33.47	914.4*85*25mm 36.00 x 3.35 x 0.98 "	1	12	4920	11088
LM-UCL02-48-26W-C3	2.49	3.11	14.95	20.08	1066.8*85*25mm 42.00 x 3.35 x 0.98 "	1	6	3840	9108
LM-UCL02-ACC-JC-14	/	/	/	/	390*220*175mm 15.35 x 8.66 x 6.89 "	/	100	/	/
LM-UCL02-ACC-PC-47	/	/	/	/	335*245*285mm 13.19 x 9.65 x 11.22 "	/	50	/	/