

LED troffer Light

This troffer is field-adjustable, and can be programmed with a ccT of 3500K, 4000K, 5000K, 5700K or 6500K, eliminating the need to stock multiple color temperatures. Ideal use for office spaces, walkways, schools/campuses, shopping centers, hospitality and health care industry.

Ideal use for office spaces, walkways, schools/campuses, shopping centers, hospitality and health care industry.



Product Features

★ CONSTRUCTION

Constructed of one-piece ribbed unitized housing and corners that interlock, preventing damage to luminaire. All sides and corners are turned in and hemmed removing sharp edges for safe handling and installation.

★ ELECTRICAL

Luminaire is built with the highest quality 120-277VAC & 120-347VAC drivers.

★ OPTICAL SYSTEM

Designed to reduce glare and improve light distribution through precision formed

★ DIMMING

0-10V dimmable standard.

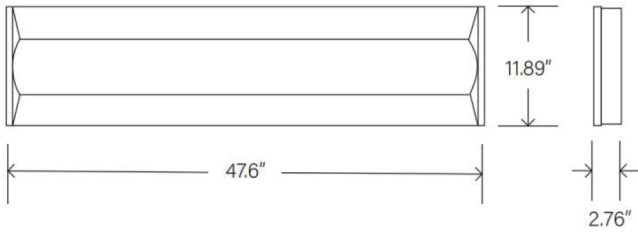
★ LISTING

ETL Listed, FCC, RoHS, CE

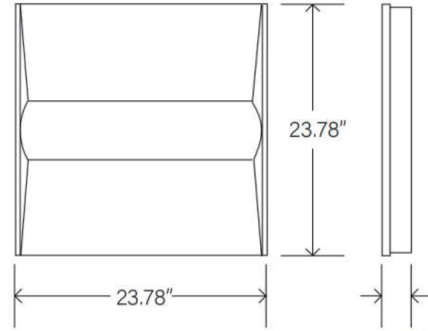
★ WARRANTY

5 Years Limited Warranty, Rated for 50,000 hours (Refer to your warranty documentation for more information.)

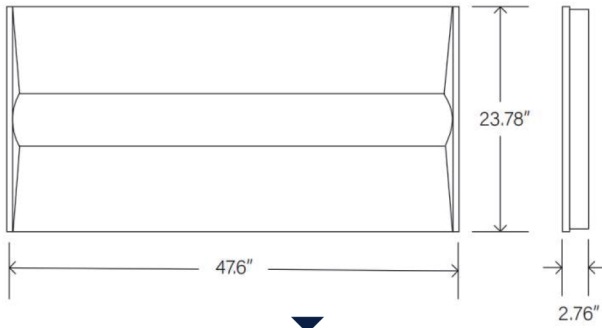
Product Dimension



1' x 4'



2' x 2'



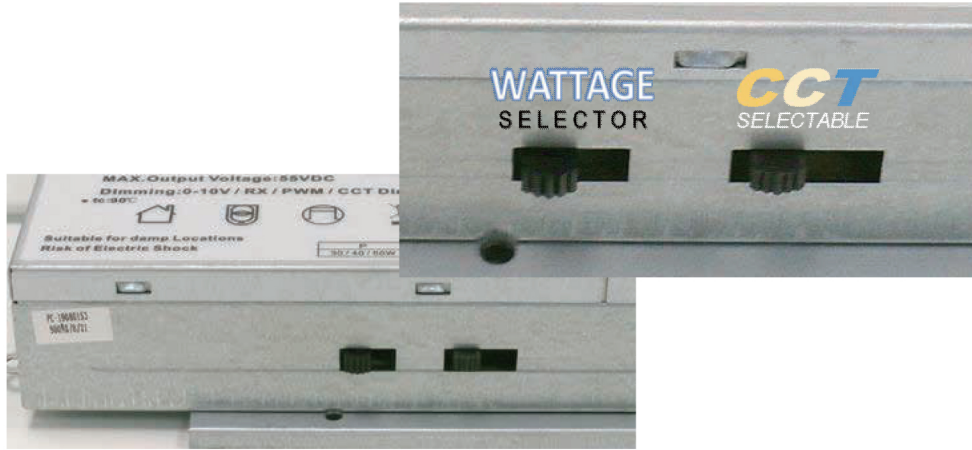
2' x 4'

Lighting Parameters

Part No.	Power	Input Voltage	Rated Current	PF	Light Efficacy	Lumen	CCT	Size	Ra
LM-TRFR14-40W-5CCT	15W	AC120-277V / AC120-347V	0.138A	>0.9	125Lm/W	1875lm	3500K 4000K 5000K 5700K 6500K	1'X4'	80
	20W		0.176A			2500lm			
	25W		0.230A			3125lm			
	30W		0.264A			3750lm			
	40W		0.367A			5000lm			
LM-TRFR22-40W-5CCT	15W	AC120-277V / AC120-347V	0.138A	>0.9	125Lm/W	1875lm	3500K 4000K 5000K 5700K 6500K	2'X2'	80
	20W		0.176A			2500lm			
	25W		0.230A			3125lm			
	30W		0.264A			3750lm			
	40W		0.320A			5000lm			
LM-TRFR24-50W-5CCT	25W	AC120-277V / AC120-347V	0.230A	>0.9	125Lm/W	3125lm	3500K 4000K 5000K 5700K 6500K	2'X4'	80
	30W		0.264A			3750lm			
	35W		0.321A			4375lm			
	40W		0.367A			5000lm			
	50W		0.458A			6250lm			

Power tunable and CCT switchable available

Easily flip the switch for desired Wattage and CCT.



Packing information

Model Number	Outer box (L*W*H)	Qty/Ctn (pcs)	N.W./Ctn (kg/lbs)	G.W./Ctn (kg/lbs)
LM-TRFR14-40W-5CCT	49.41"*4.72"*13.58" 1255*120*345mm	2	5.6/12.35	6.5/14.33
LM-TRFR22-40W-5CCT	25.39"*4.72"*25.39" 645*120*645mm	2	5.22/11.51	6.1/13.44
LM-TRFR24-50W-5CCT	49.41"*4.72"*25.39" 1255*120*645mm	2	10.1/22.26	11.5/25.35