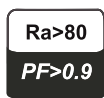


LED LINEAR STRIP LIGHT (LM-SPSL)

WATTAGE: 4FT/8FT, from 24W to 100W



The LM-SPSL Linear Fixture Series includes, 4ft and 8ft designed to replace fluorescent strip lighting with its slim & high quality design, integrated controls options and innovative mounting accessories.



Product Features:

- High Efficacy: 130LPW;
- AC120-277/347V, Ra > 80;
- Power & CCT adjustable;
- 4FT/8FT, from 24W to 100W;
- Easy installation, suspending mounting & surface mounted;
- Emergency backup and sensor optional;
- 5-years warranty.
5 Years Limited Warranty, Rated for 50,000 hours (Refer to your warranty documentation for more information.)

SPECIFICATION

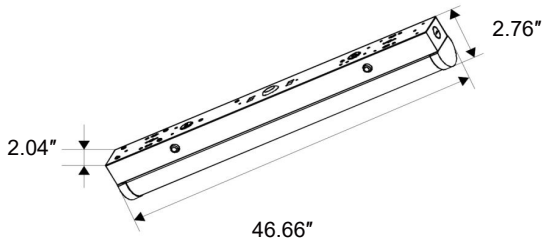
MODEL	LM-SPSL-4FT40W-H-T	LM-SPSL-4FT50W-H-T	LM-SPSL-8FT80W-H-T	LM-SPSL-4FT60W-H-T	LM-SPSL-8FT100W-H-T
WATTAGE	40W	50W	80W	60W	100W
CCT	3500K/4000K/5000K			3500K/4000K/5000K/5700K/6500K	
EFFICACY	5200LM	6500LM	10400LM	7800LM	13000LM
CRI	Ra 80				
INPUT VOLTAGE	AC120-277V / AC120-347V				
POWER FACTOR	0.90				
DRIVER EFFICACY	90%				
DIMMING	0-10V				
LIFE SPAN	50,000 hrs				
WORKING TEMPERATURE	-40°F ~ 113°F				
STORAGE TEMPERATURE	-40°F ~ 176°F				
CABLE	0.5 FT				
WARRANTY	5 year limited				

LED LINEAR STRIP LIGHT (LM-SPSL)

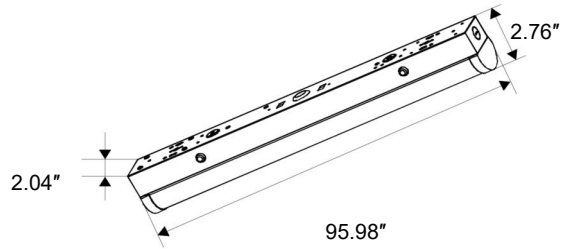
WATTAGE: 4FT/8FT, from 24W to 100W

Product Dimension:

4FT



8FT



	Packing	Size	Net Weight	Gross Weight	pcs/ctn
4FT	Outer Packing Size	L47.13"xW7.21"xH9.84"	23.4Lbs/ctn	27.5Lbs/ctn	9pcs/ctn
8FT	Outer Packing Size	L96.46"xW4.96"xH7.09"	21.83Lbs/ctn	25.57Lbs/ctn	4pcs/ctn

Standard Accessories



Surface Mounted

Product Accessories(SOLD SEPARATELY):



Suspending Mounted



Connector



For Linkable-Wire harness



External sensor

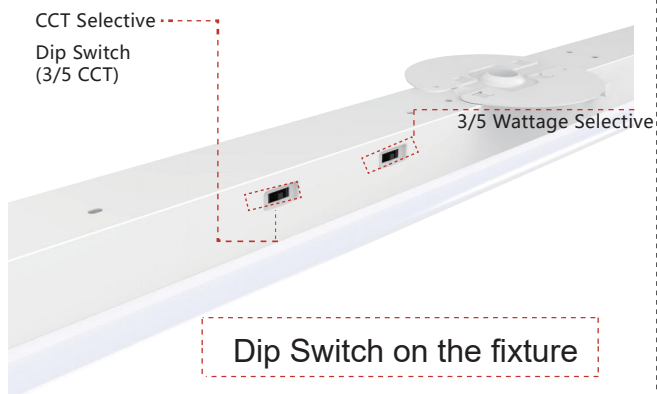


Remote controller



Emergency Battery

Power and CCT switchable:



Sensor Base Solutions Available:



LED LINEAR STRIP LIGHT (LM-SPSL)

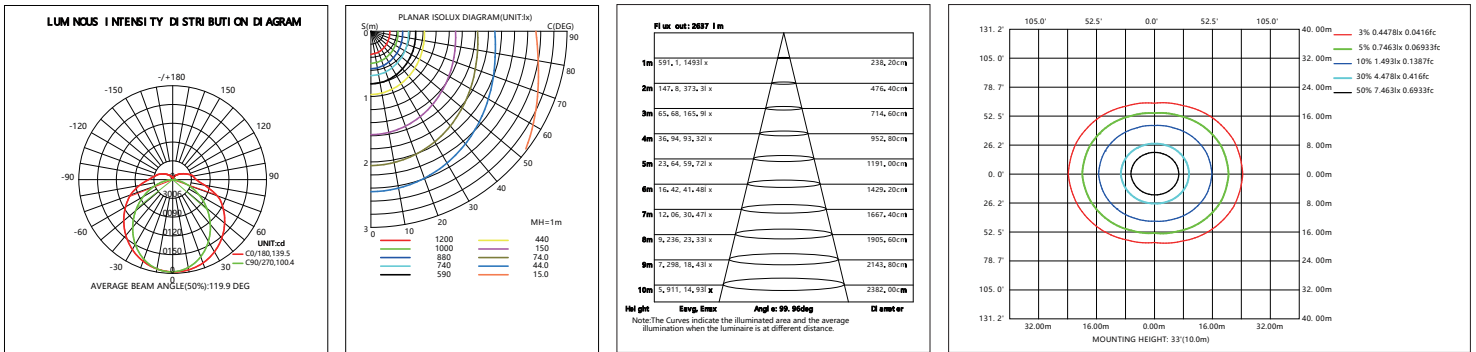
WATTAGE: 4FT/8FT, from 24W to 100W

LM	SPSL	4FT40W	H	XX	T	Y
COMPANY	PRODUCT	POWER	HIGH LUMENS	INPUT VOLTAGE	Tunable CCT and Power	CONTROL
Lumicor	Strip Light	40W: 40/32/24W 50W: 50/40/30W 60W: 60/50/40/30/25W 80W: 60/70/80W 100W: 100/90/80/60/40W		Blank=120-277Vac MV=120-347Vac	3500K/4000K/5000K 3500K/4000K/5000K /5700K/6500K	A = PIR sensor, B = MS sensor, C = BRT sensor, D = PHB sensor, blank = no provide sensor.

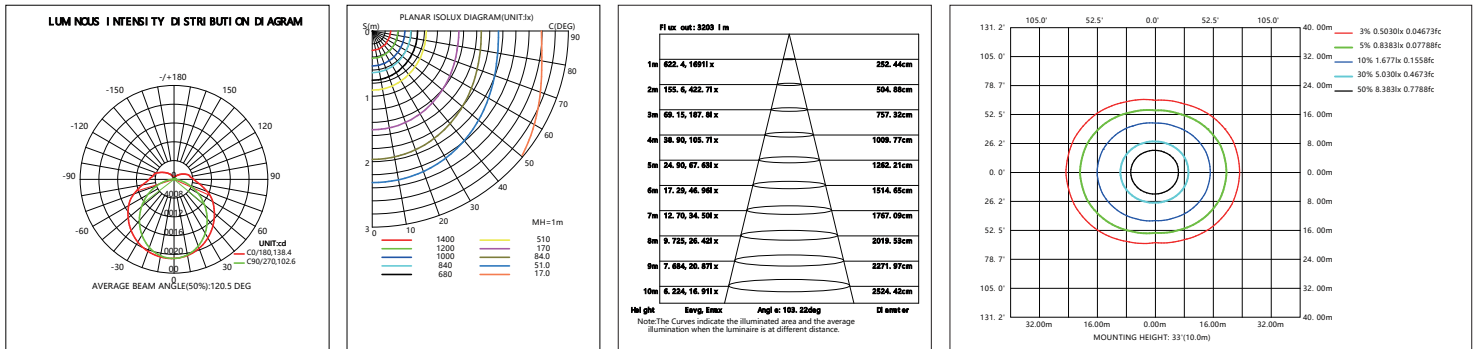
DISTRIBUTION

For complete IES files, please visit our website.

LM-SPSL-4FT40W-H-TCP(XX)(40W 5000K)



LM-SPSL-4FT50W-H-TCP(XX)(50W 5000K)

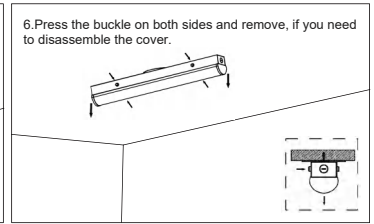
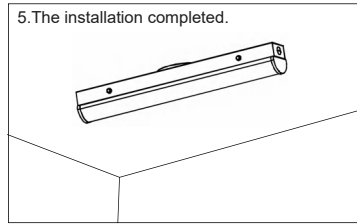
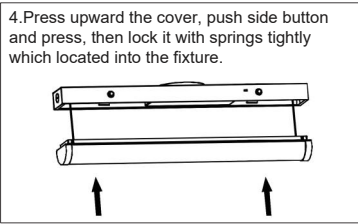
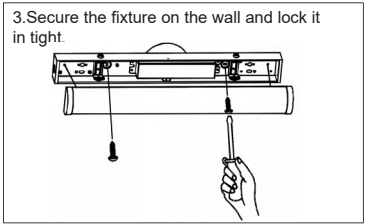
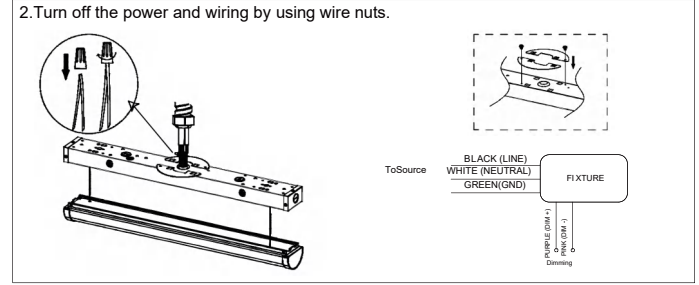
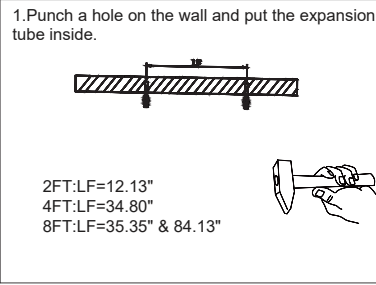
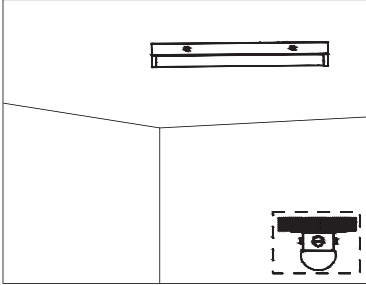


LED LINEAR STRIP LIGHT (LM-SPSL)

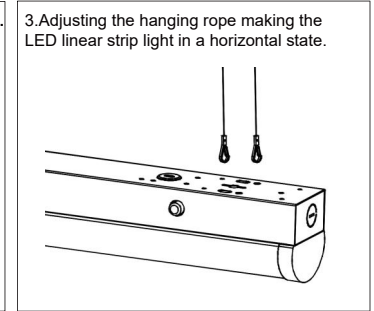
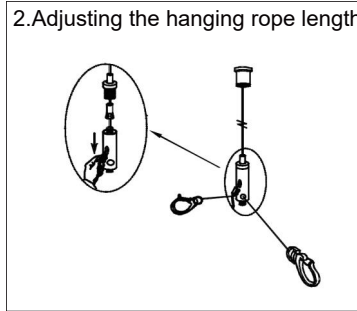
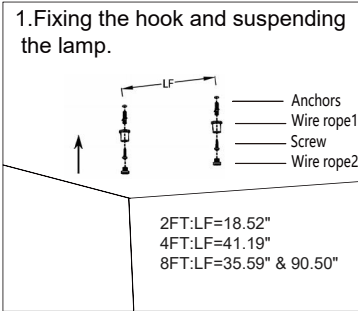
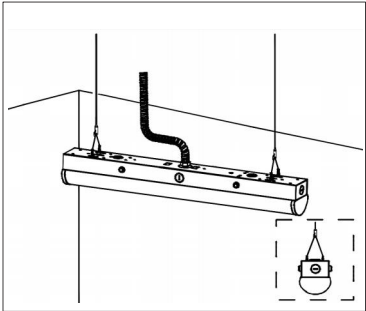
WATTAGE: 4FT/8FT, from 24W to 100W

Installation Instruction:

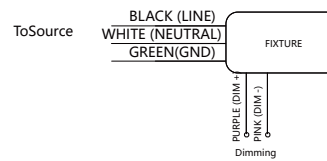
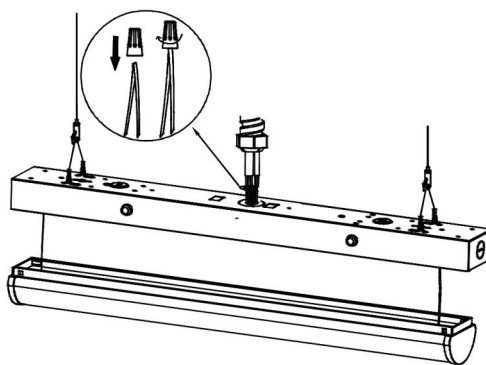
A. Surface-mounted installation



B. Suspending installation



4. Turn off the power and wiring by using wire nuts.

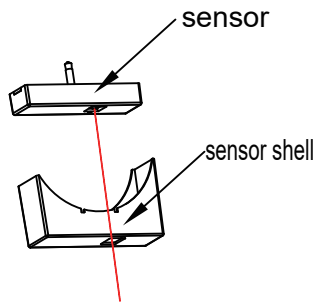


LED LINEAR STRIP LIGHT (LM-SPSL)

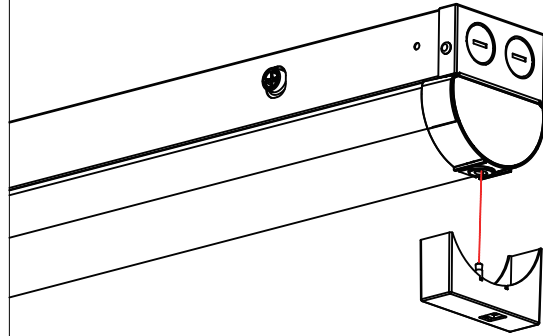
WATTAGE: 4FT/8FT, from 24W to 100W

SENSOR INSTALLATION:

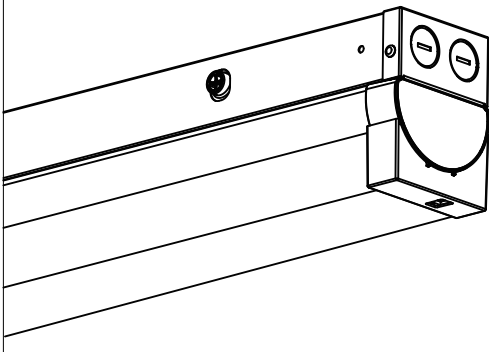
1. Align the sensor probe with the square hole of the sensor housing and press it in.



2. Align the assembled sensor with the headphone pin hole on the light and insert it into it.

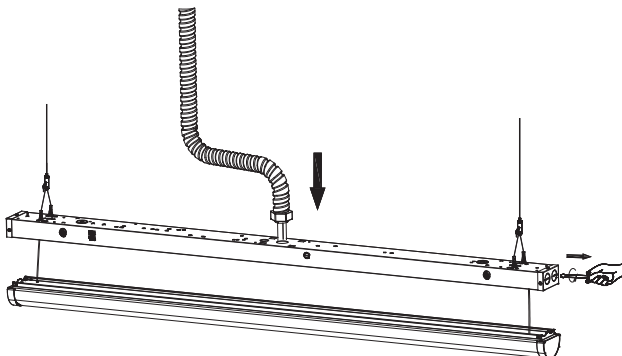


3. After installation, power on and the sensor works normally, indicating that the installation is complete.



Linkable Connections

1. Remove the PC cover and remove the reserved mask on the end cover using a flat-head screwdriver. Remove the linkable wire from the reserved hole.

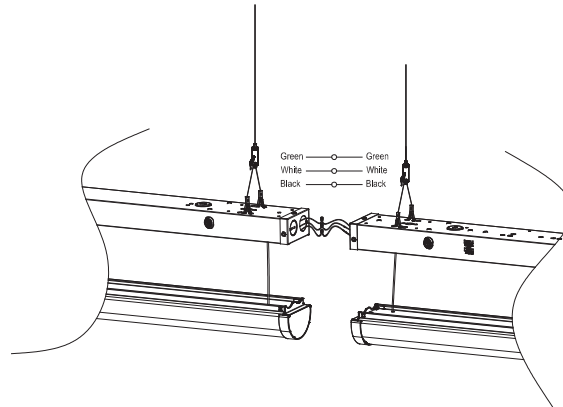


Catalog #	Max Qty of Linkable Connection
SPSL-4FT	Up to 12 fixtures
SPSL-8FT	Up to 6 fixtures

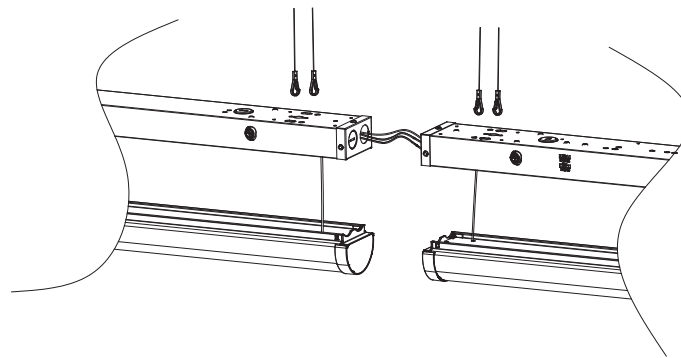
LED LINEAR STRIP LIGHT (LM-SPSL)

WATTAGE: 4FT/8FT, from 24W to 100W

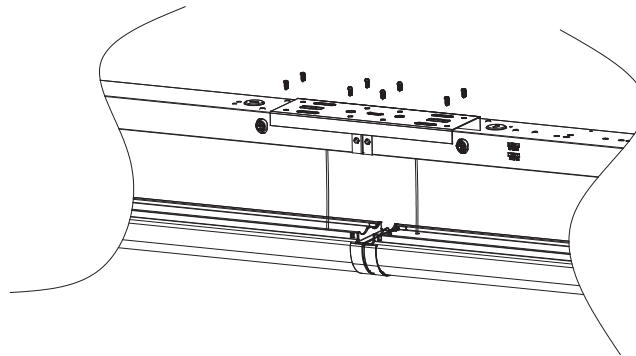
2. Take out the linkable wire of another fixture in the same way. Connect the linkable wire black to black, white to white, and green to green.



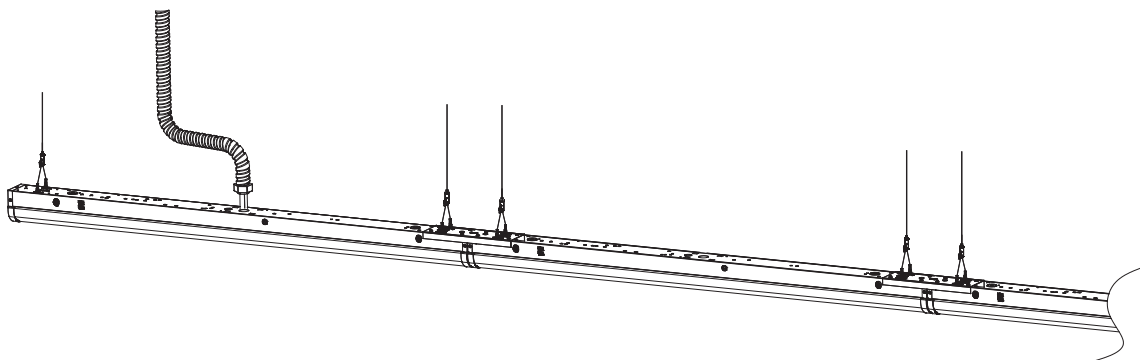
3. Insert the connected terminal into the fixture through the reserved hole. Take the lower end of the sling.



4. Cover the connector and lock the connector with self-tapping screws.



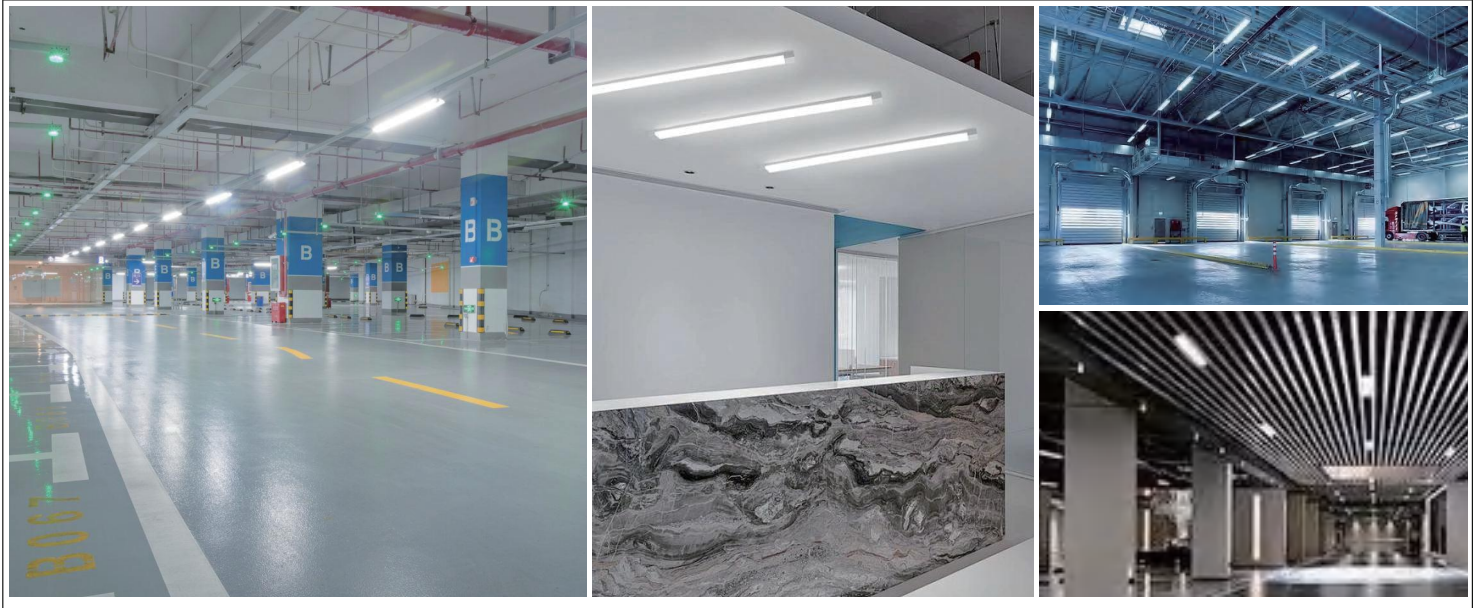
5. Hang the rope, fasten the PC cover, the installation is complete, and the can link the rest of the fixtures.



LED LINEAR STRIP LIGHT (LM-SPSL)

WATTAGE: 4FT/8FT, from 24W to 100W

Applications:



Warning:

- ⚠ Risk of fire or electric shock. Fixture installation requires knowledge of luminaires electrical systems. If not qualified, DO NOT attempt installation. Contact a qualified electrician.
- ⚠ Risk of fire or electric shock. Suitable for damp locations. Always turn off the power supply before installation.
- ⚠ Risk of fire or electric shock. Suitable for non-insulated surface and frame. DO NOT cover fixture with insulation liner or similar material.
- ⚠ DO NOT install fixture on unstable, loose or easily breakable surface.
- ⚠ DO NOT exert force on the surface of the fixture.

Note:

1. The installation and maintenance must be completed by electricians or professionals.
2. Please cut off the power before installation and maintenance.
3. The thermally insulating material is not allowed to cover the fixture.
4. Please keep away from the corrosive substance, and keep the fixture dry and clean.
5. Working temperature: $-4^{\circ}\text{F}\sim 113^{\circ}\text{F}$, storage temperature: $-22^{\circ}\text{F}\sim 140^{\circ}\text{F}$.