

ADVANTAGE

- Single Wattage: 10W/20W/30W
- 3 Wattage: 20W-15W-10W Tunable
30W-25W-20W Tunable
- CCT: 2700K/3000K/3500K/4000K/5000K/5CCT
- Input Voltage: AC120V
- Lumen: Up to 110LM/W
- PF > 0.90 , CRI > 90
- ETL certification
- 5 years warranty
- IP40 damp location

DETAILS

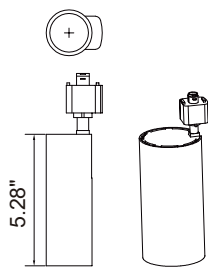
Features

- 110LM/W & Triac dimmable for single CCT and wattage.
- 90LM/W & Triac dimmable for CCT & wattage selectable.
- Daisy connection with very convenient replacement in 1minute.
- Available with suspending installation and surface-mounted installation.
- Support Halo/Juno exchangeable adapter.
- 90+CRI with 3-step MacAdam Ellipse.
High-Efficacy with precise Center Beam
Candle Power. Can pivot 90° vertically and rotate 350° horizontally.
- Recommended Application: Supermarkets, Restaurants, Shopping Mall, etc.

Installations

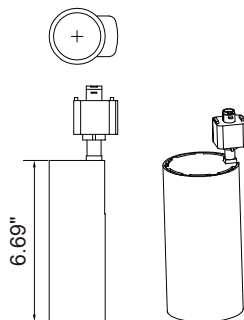
- Track Mounted

DIMENSIONS



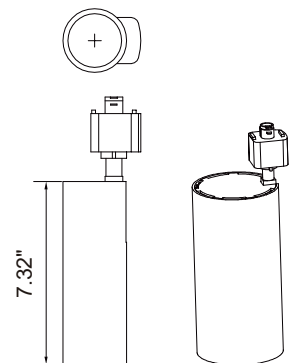
Ø1.97"X5.28"

10W



Ø2.44"X6.69"

20W



Ø3.15"X7.32"

30W



Certifications

- ETL certification
- Comply with the requirements of the Standard(s) to Luminaires (CAN/CSA-C22.2 No.250.0) are identified with the cETL Listed Mark.

Optional Accessories

- surface mounted track, embedded mounted track, input end connector, tail plug, conductive connector, linear connector, L-connector, T-connector, wire flexible connector, "+" connector

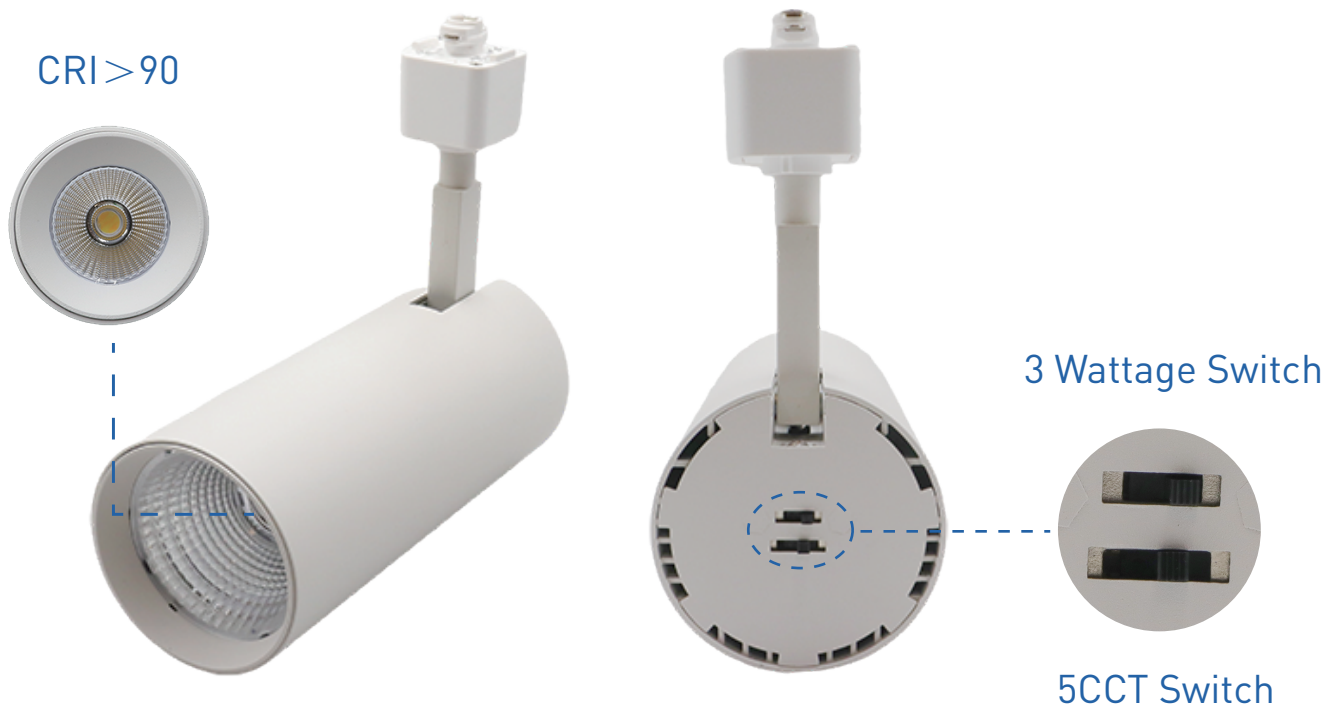
Warranty

- All products Youthgreen Lighting are guaranteed with 5 years' warranty.

SPECIFICATION

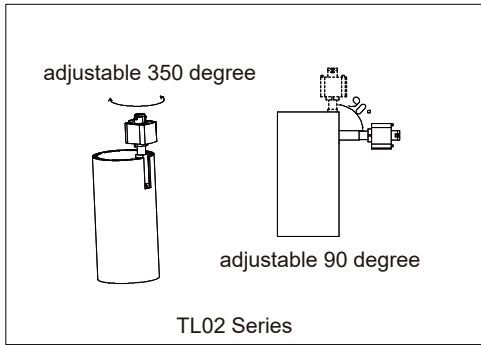
	MODE	SIZE(inch)	WATT	VOLTAGE	CCT	LUMEN	EFFICACY
<input type="checkbox"/>	LM-TL001-BE10-R-5C(2.7+5)-BK-90	2*5.3	10W	AC120V	Single CCT/5CCT	Single CCT: 1100LM 5CCT: 800LM	Single CCT: 110LM/W 5CCT: 80LM/W
<input type="checkbox"/>	LM-TL001-BG20-R-5C(2.7+5)-BK-90	2.4*6.7	20W	AC120V	Single CCT/5CCT	Single CCT: 2200LM 5CCT: 1600LM	Single CCT: 110LM/W 5CCT: 80LM/W
<input type="checkbox"/>	LM-TL001-CG30-R-5C(2.7+5)-BK-90	3.1*7.3	30W	AC120V	Single CCT/5CCT	Single CCT: 3300LM 5CCT: 2700LM	Single CCT: 110LM/W 5CCT: 90LM/W
<input type="checkbox"/>	LM-TL001-BGT1020-R-5C(2.7+5)-BK-90	2.4*6.7	20/15/10W switchable	AC120V	Single CCT/5CCT	Single CCT: 2200LM 5CCT: 1600LM	Single CCT: 110LM/W 5CCT: 80LM/W
<input type="checkbox"/>	LM-TL001-CGT2030-R-5C(2.7+5)-BK-90	3.1*7.3	30/25/20W switchable	AC120V	Single CCT/5CCT	Single CCT: 1100LM 5CCT: 800LM	Single CCT: 110LM/W 5CCT: 90LM/W

FEATURES

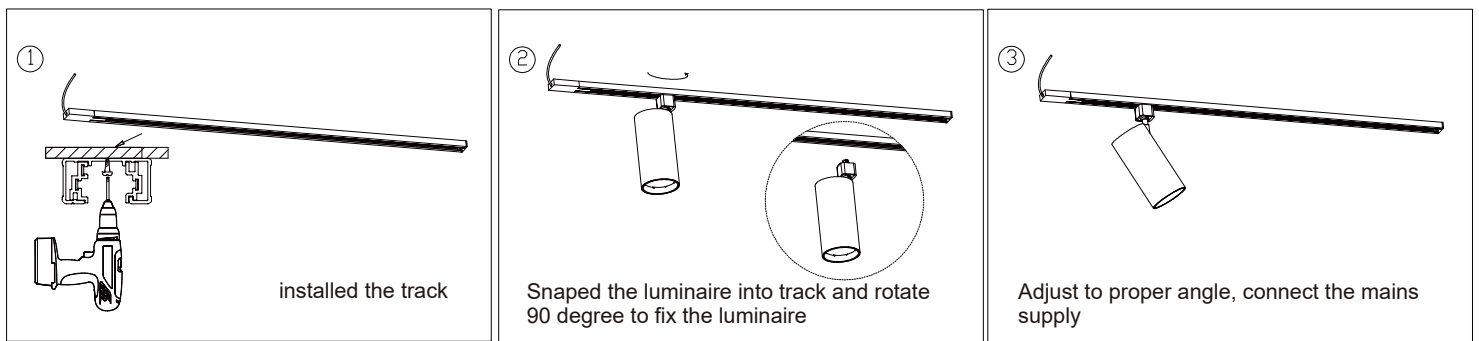


INSTALLATIONS

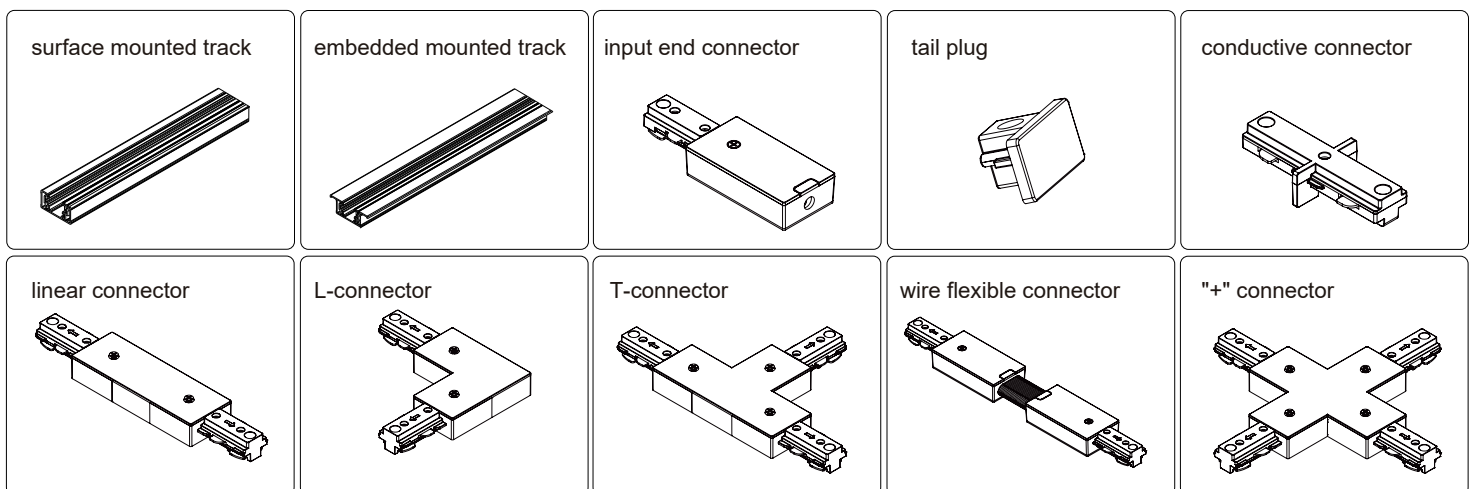
❖ Installation Manual



❖ Rail Mounting

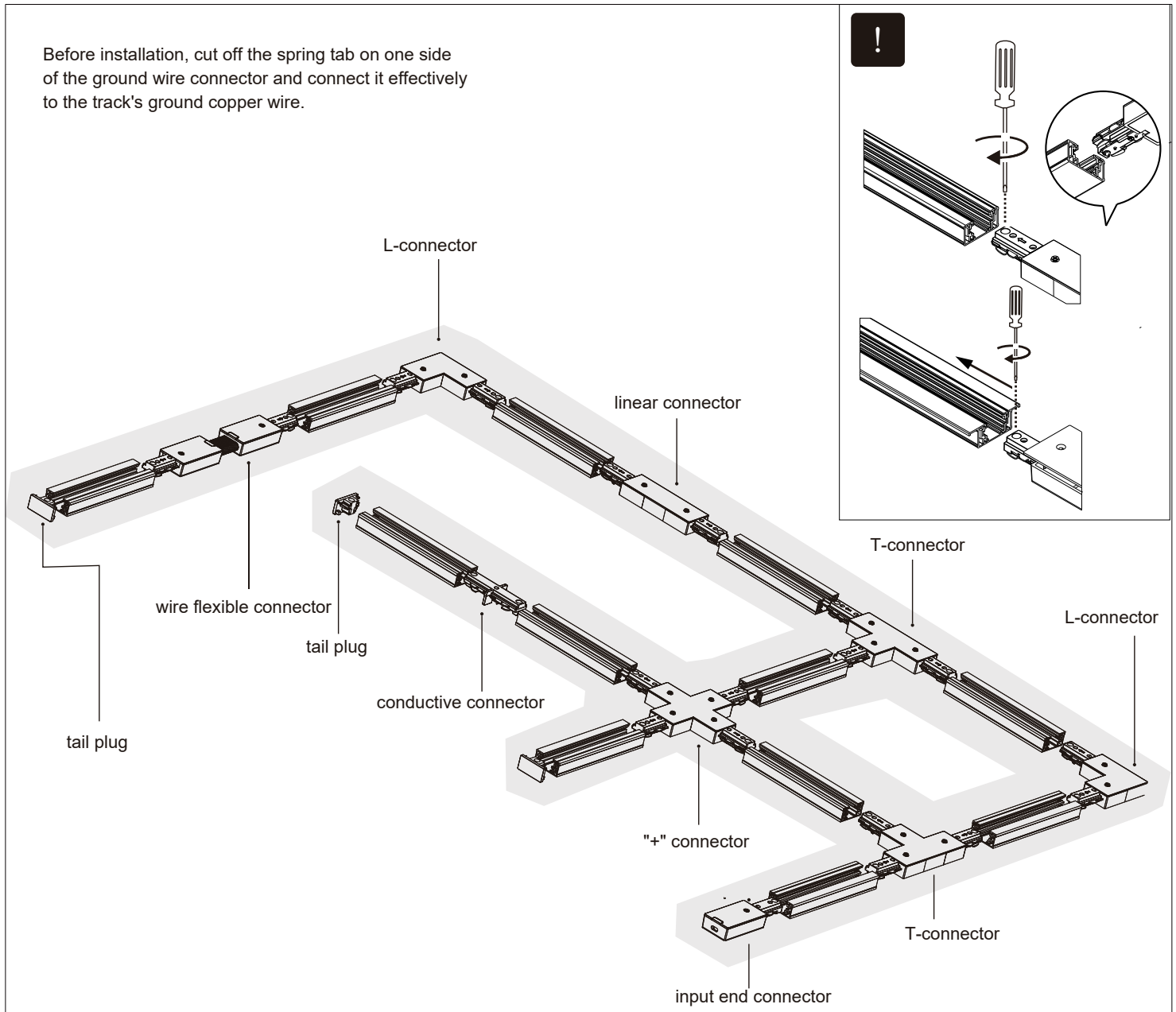


❖ Optional Accessories



❖ Rail System Connection Diagram

Before installation, cut off the spring tab on one side of the ground wire connector and connect it effectively to the track's ground copper wire.



APPLICATIONS

